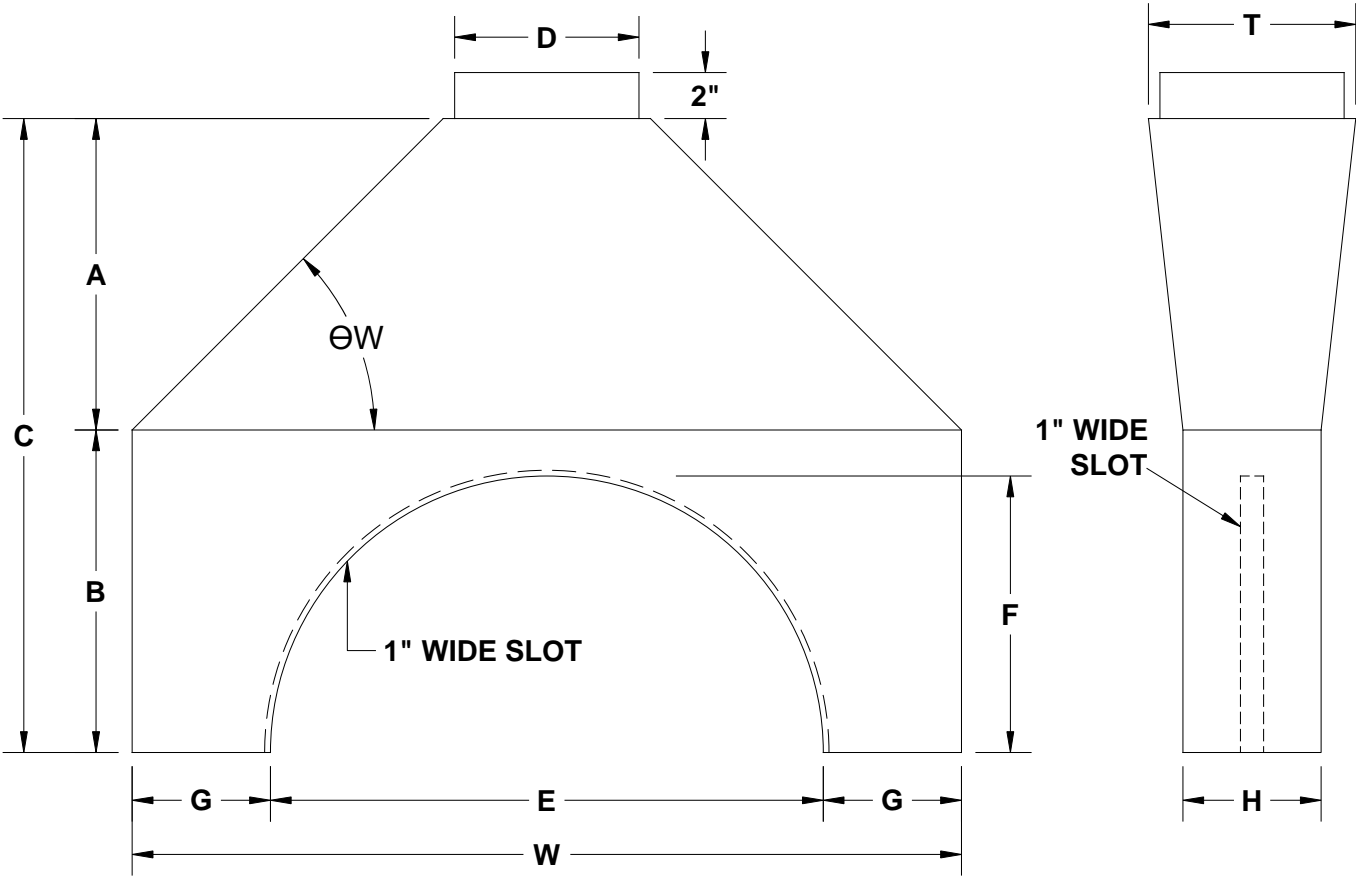


# SLOTTED BARREL HOODS



**CONSTRUCTION:** All welded 18 GA. galvanized steel, 304 or 316 stainless steel with 2B finish or #3 ground and polished and .063 aluminum mill finish. Heavier gauges available: 16, 14, 12 and 10.  
**DIMENSIONS:** As required for job conditions.

Qty.	Material	Gauge	W	H	A	B	C	$\Theta W$	Nominal D	Actual O.D / I.D.
E	F	G	T	Finish		Options		Tag		

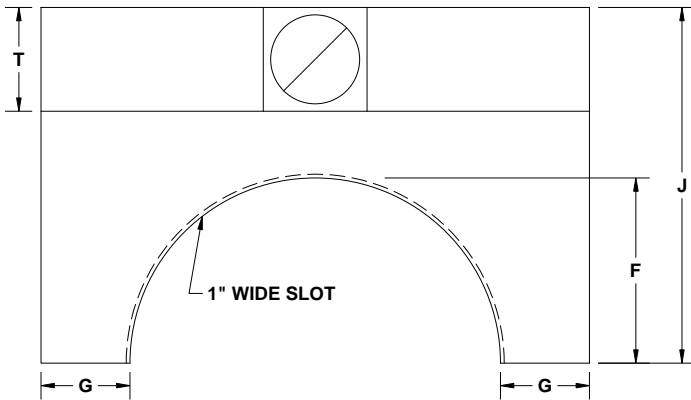
To maintain KEES' policy of continuous product development, we reserve the right to change prices, specifications, ratings and dimensions without notice or obligation.

<b>Project</b>		<b>Location</b>	
<b>Engineer</b>		<b>Dwg. No.</b>	SD-SSBH
<b>Architect</b>		<b>Date</b>	06/17
<b>Contractor</b>			

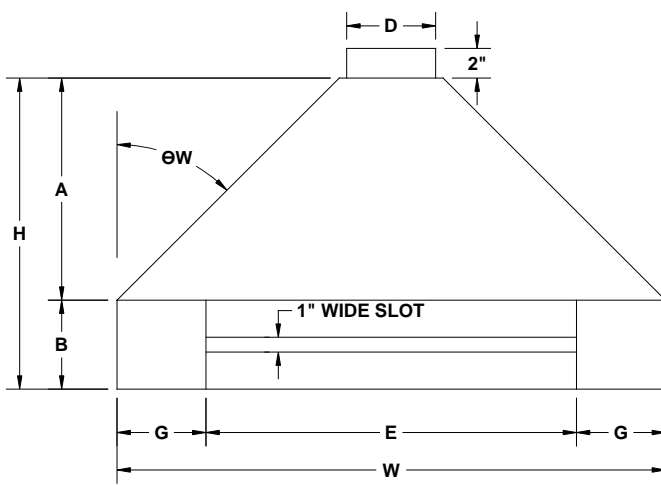


**KEES INCORPORATED**  
 400 S. Industrial Dr.  
 Elkhart Lake, WI 53020  
 Phone: (920) 876-3391  
 Fax: (920) 876-3065  
 Website: www.kees.com

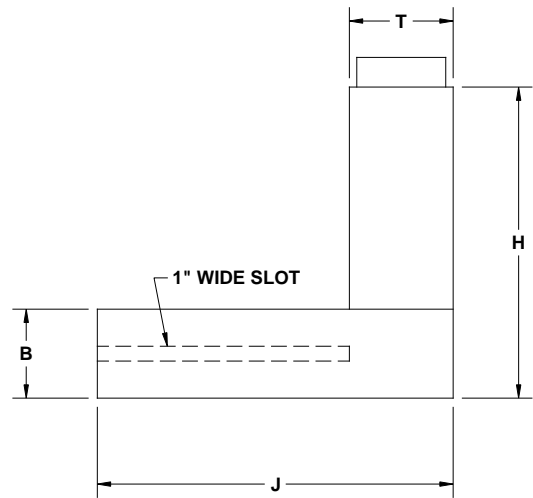
# SLOTTED BARREL HOODS



**PLAN VIEW**



**ELEVATION VIEW**



**SIDE VIEW**

**CONSTRUCTION:** All welded 18 GA. galvanized steel, 304 or 316 stainless steel with 2B finish or #3 ground and polished and .063 aluminum mill finish. Heavier gauges available: 16, 14, 12 and 10.  
**DIMENSIONS:** As required for job conditions.

Qty.	Material	Gauge	W	H	A	B	ΘW	Nominal D	Actual O.D / I.D.
E	F	G	J	T	Finish	Options	Tag		

To maintain KEES' policy of continuous product development, we reserve the right to change prices, specifications, ratings and dimensions without notice or obligation.

<b>Project</b>		<b>Location</b>	
<b>Engineer</b>		<b>Dwg. No.</b>	<b>SD-SSBH</b>
<b>Architect</b>		<b>Date</b>	<b>06/17</b>
<b>Contractor</b>			



**KEES INCORPORATED**  
 400 S. Industrial Dr.  
 Elkhart Lake, WI 53020  
 Phone: (920) 876-3391  
 Fax: (920) 876-3065  
 Website: www.kees.com