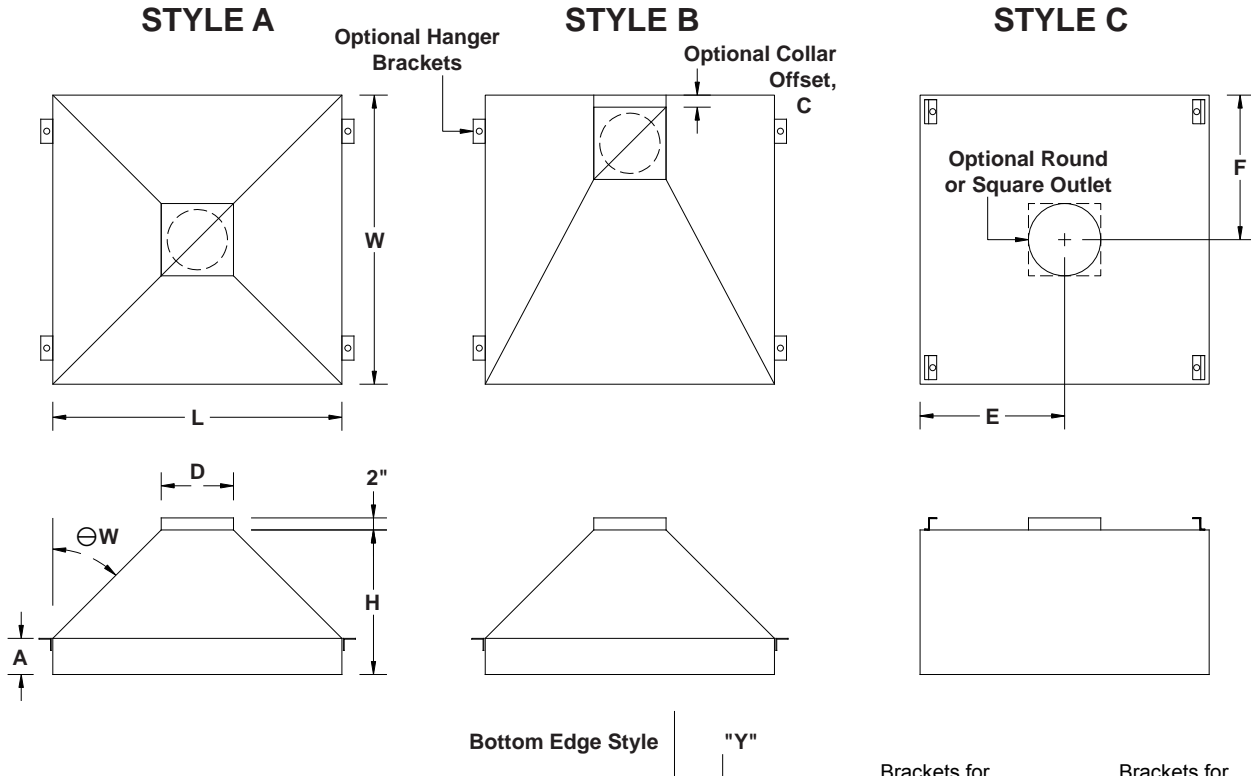


OVERHEAD INDUSTRIAL HOODS

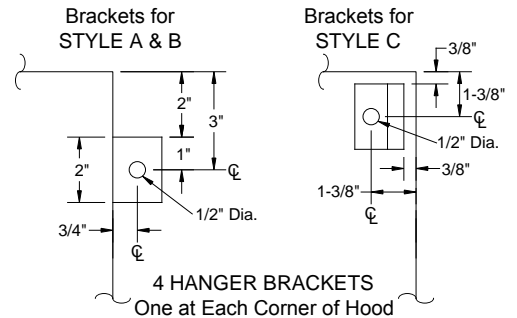


TYPICAL USES: Venting heated or lighter than air vapors and gases of all types, and fine dusts that are air suspended.



CONSTRUCTION: All welded 18 GA. galvanized steel, 18 GA. 304 or 316 stainless steel with 2B finish or .063 aluminum. Heavier gauges available: 16, 14, 12 and 10.

DIMENSIONS: As required for job conditions.



Qty.	Style	Material	Gauge	L	W	H	A	Nominal D	Actual O.D. / I.D.	Offset C	Location E F	
Hanger Brackets		\ominus W	Finish	Special						Tag		

To maintain KEES' policy of continuous product development, we reserve the right to change prices, specifications, ratings and dimensions without notice or obligation.

Project		Location		
Engineer		Dwg. No.	SD-SMOH	
Architect		Date	06/17	
Contractor				



KEES INCORPORATED
 400 S. Industrial Dr.
 Elkhart Lake, WI 53020
 Phone: (920) 876-3391
 Fax: (920) 876-3065
 Website: www.kees.com