



CUSTOM & INDUSTRIAL EXHAUST HOODS

TYPICAL APPLICATIONS:

- Heat
- Moisture
- Dust
- Fumes or Vapors
- Grease
- Chips or Particles
- Paint
- Engine Exhaust
- Industrial
- Manufacturing
- Chemical Processing
- Schools
- Material Handling
- Vehicle Maintenance



MATERIALS:

- Steel
- 304 Stainless Steel
- 316 Stainless Steel
- Galvanealed Steel
- Galvanized Steel
- Aluminized Steel
- Aluminum

FINISHES:

- Mill Finish
- Ground and Polished
- Primer
- Enamel Paint
- Epoxy Paint
- Phenolic Coating

CONSTRUCTION:

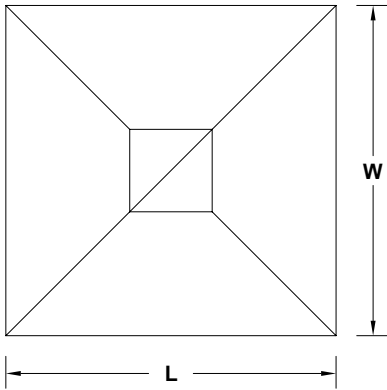
- Welded Construction

OPTIONS AND ACCESSORIES:

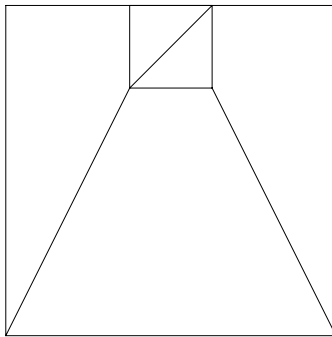
- Internal Baffles
- Double Shell
- Dampened Slots
- Side Skirts
- Gutter and Drain
- Filter Racks
- Mounted Switches
- Lights
- Make-up Air Plenums

OVERHEAD INDUSTRIAL HOODS

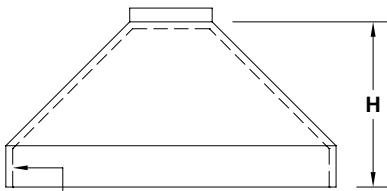
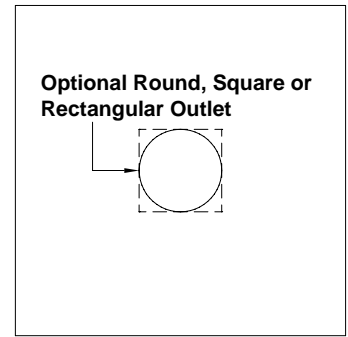
STYLE A



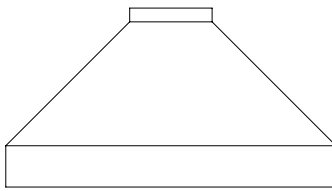
STYLE B



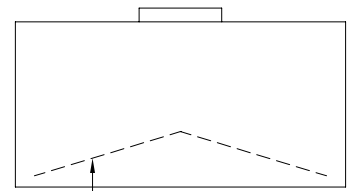
STYLE C



Optional Double Wall Liner
(Available On Any Hood Style)

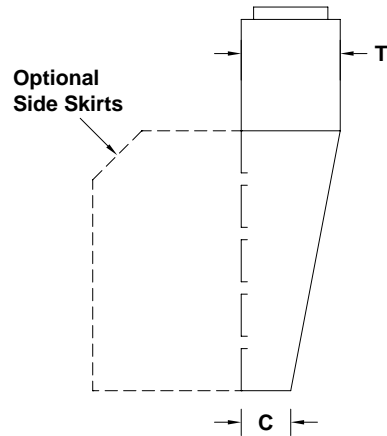
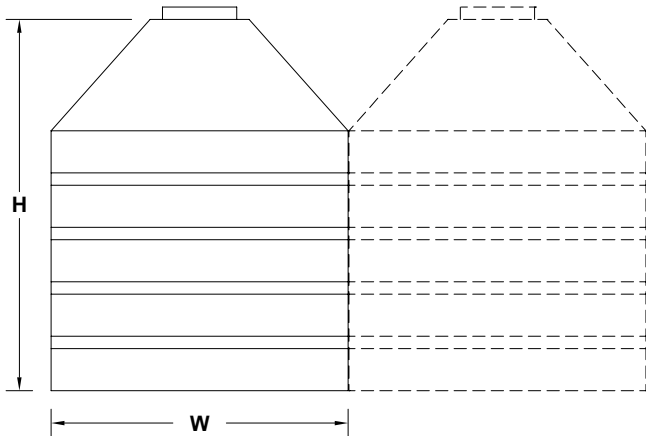


Bottom Edge Style "Y"
Available With Optional Drain For
Moisture Application

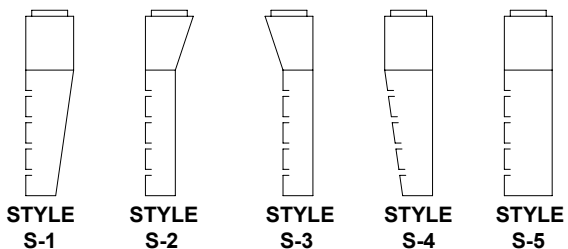


Optional Internal Baffle
(Available On Any Hood Style)

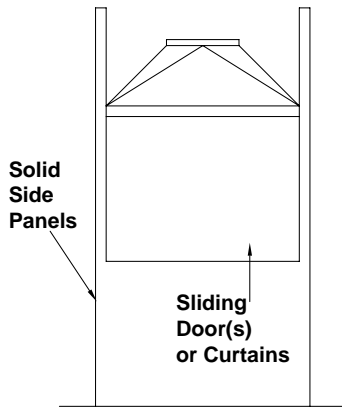
SLOTTED BACK SHELF INDUSTRIAL HOODS



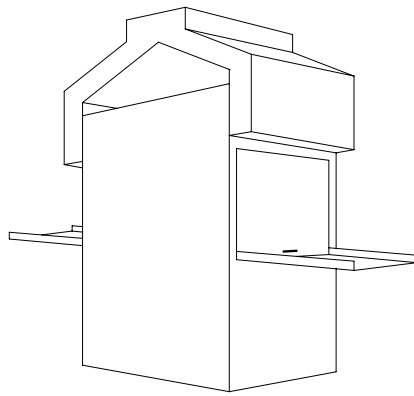
Available in single or multiple sections, each with one, two, three or more slot openings sized as required for application.



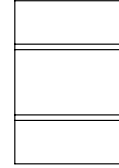
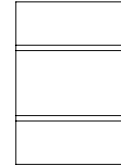
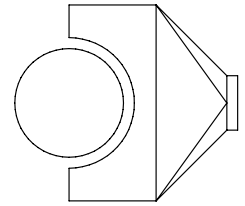
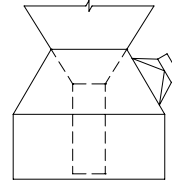
Typical hood styles - available in unlimited styles and types, materials and gauges to meet your specific needs.



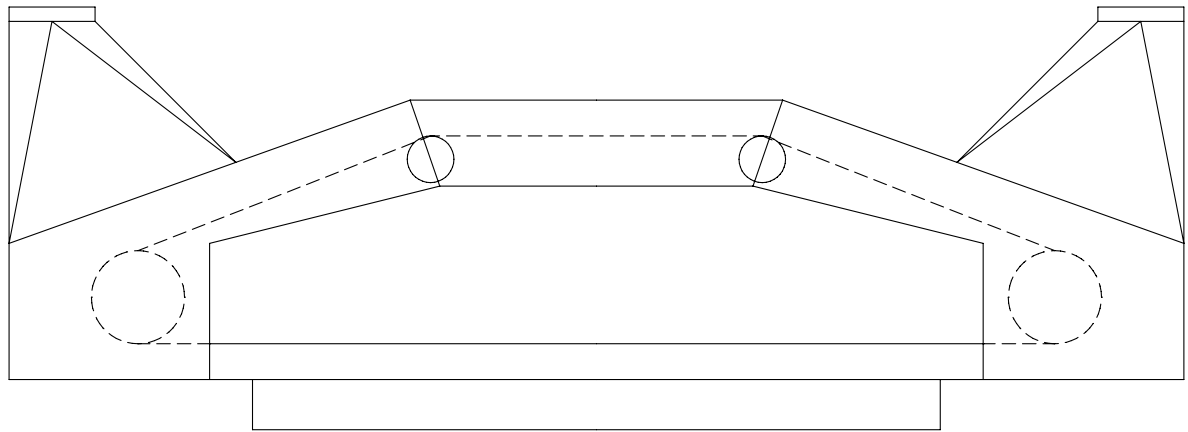
MELTING FURNACE HOOD



DISHWASHER HOOD

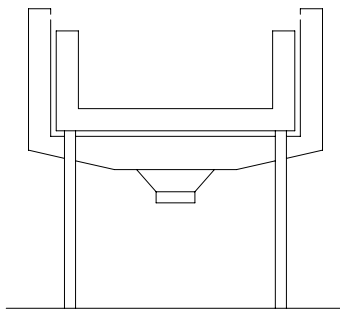


CONTAINER OR BARREL FILLING TYPES

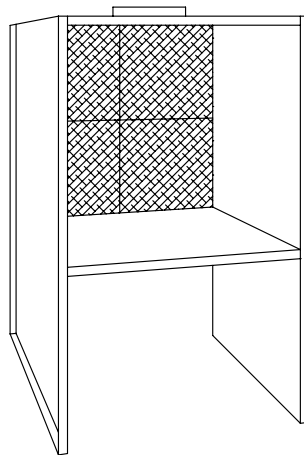


CUSTOM EQUIPMENT ENCLOSURE

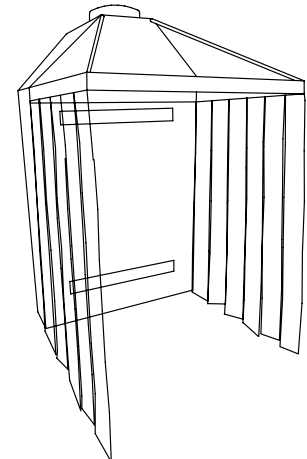
(Grinding, sanding, polishing, abrasive blasting, machining, etc.)



SINK SLOT HOOD



SPRAY BOOTH



BACKSHELF WITH FRONT EXTENSION AND FLEXIBLE STRIP SIDE CURTAINS

ADDITIONAL HOOD EXAMPLES



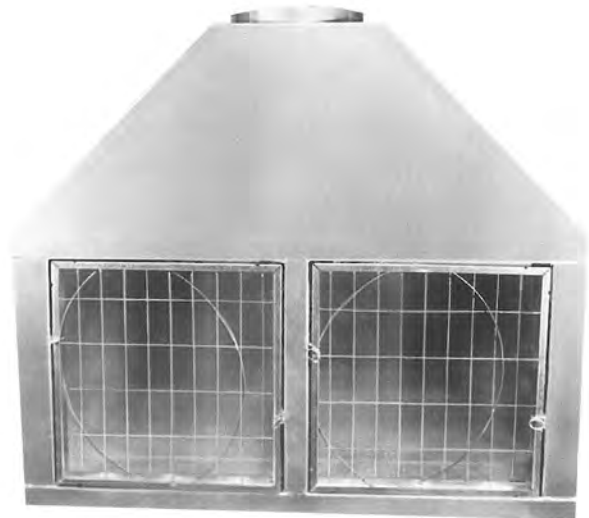
**DOWNDRAFT
TABLE**



**OVERHEAD
CONICAL
HOOD**



**OVERHEAD CANOPY
WITH COUNTERWEIGHTED
HEIGHT ADJUSTMENT AND
FLEXIBLE EXHAUST DUCT**



**BACKSHELF HOOD WITH
PAD FILTER FRAMES**

SOURCES OF ADDITIONAL INFORMATION REGARDING INDUSTRIAL HOOD APPLICATIONS.

ASHRAE Hand Books
American Society of Heating, Refrigeration
and Air Conditioning Engineers, Inc.
1791 Tullie Circle N.E.
Atlanta, GA 30329
404-636-8400

Industrial Ventilation Manual
American Conference of Governmental
Industrial Hygienists
6500 Glenway, Bldg. D7
Cincinnati, OH 45211
513-742-2020

To maintain KEES' policy of continuous product improvement, we reserve the right to change prices, specifications, ratings or dimensions without notice or obligation.



KEES, INCORPORATED • 400 S. INDUSTRIAL DRIVE
ELKHART LAKE, WISCONSIN 53020 • PHONE (920) 876-3391 • FAX (920) 876-3065 • www.kees.com