

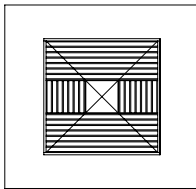
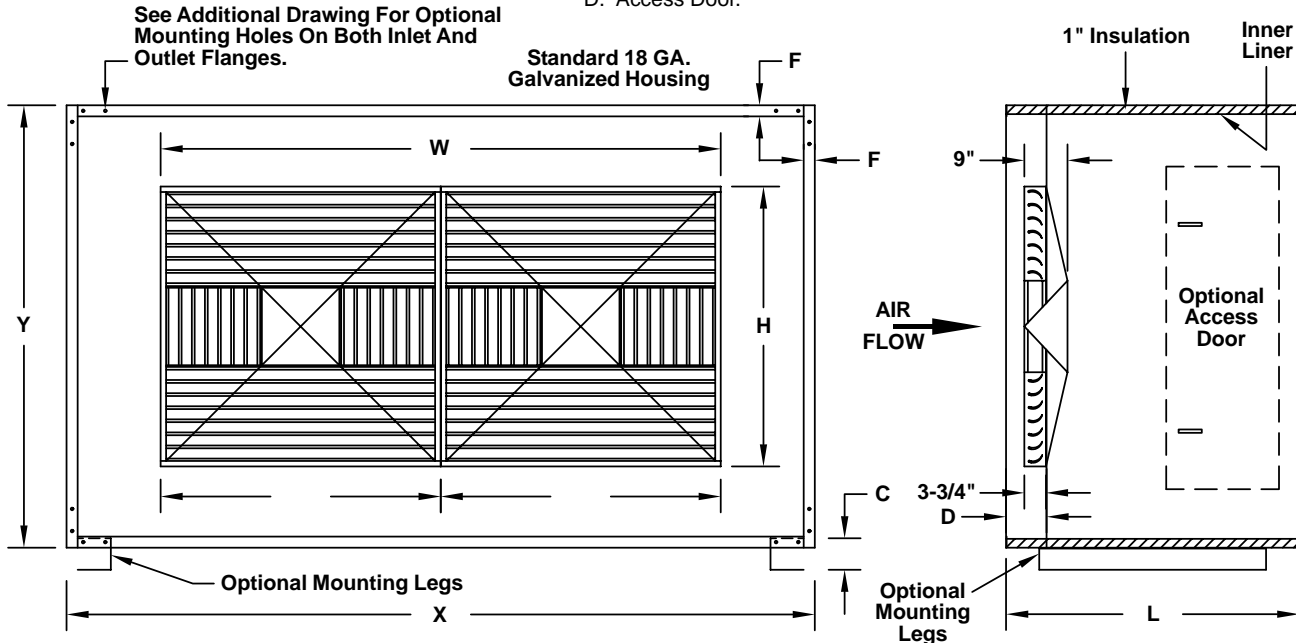


PANEL MIX^xER IN PLENUM SECTION

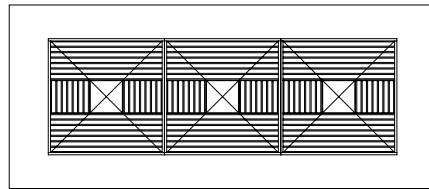
MODEL PMP

Patent #5,364,305

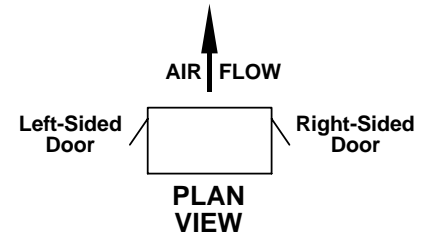
- A. Inner Liner 1 Inch 1-1/2 Lb. Density Fiberglass Duct Liner.
- B. 22 GA. Solid Inner Liner Over 1 Inch 1-1/2 Lb. Density Fiberglass Insulation.
- C. 22 GA. Perforated Inner Liner Over 1 Inch 1-1/2 Lb. Density Fiberglass Insulation.
- D. Access Door.



ONE MIX^xER IN PLENUM



THREE MIX^xERS IN PLENUM



QTY.	AIR HANDLER MANUFACTURER AND MODEL NO.	PLENUM OVERALL SIZE		LENGTH "L"	OVERALL MIX ^x ER SIZE		NUMBER OF MIX ^x ERS	UNIT MIX ^x ER SIZE	
		WIDTH "X"	HEIGHT "Y"		WIDTH "W"	HEIGHT "H"		WIDTH "W"	HEIGHT "H"

MIX ^x ER MATERIAL	HOUSING MATERIAL	MAX. C.F.M.	MIN. C.F.M.	PRESSURE DROP IN. WATER	"C"	"D"	"F"	OPTIONAL DOOR		OTHER OPTIONS	TAG
								LEFT	RIGHT		

SPECIAL:

To maintain KEES' policy of continuous product improvement, we reserve the right to change prices, specifications, ratings or dimensions without notice or obligation.

Project				Location			
Engineer				Dwg. No.	SD-PMP		KEES INCORPORATED 400 S. Industrial Dr Elkhart Lake, WI 53020 Phone: (920) 876-3391 Fax: (920) 876-3065 Website: www.kees.com
Architect							
Contractor							