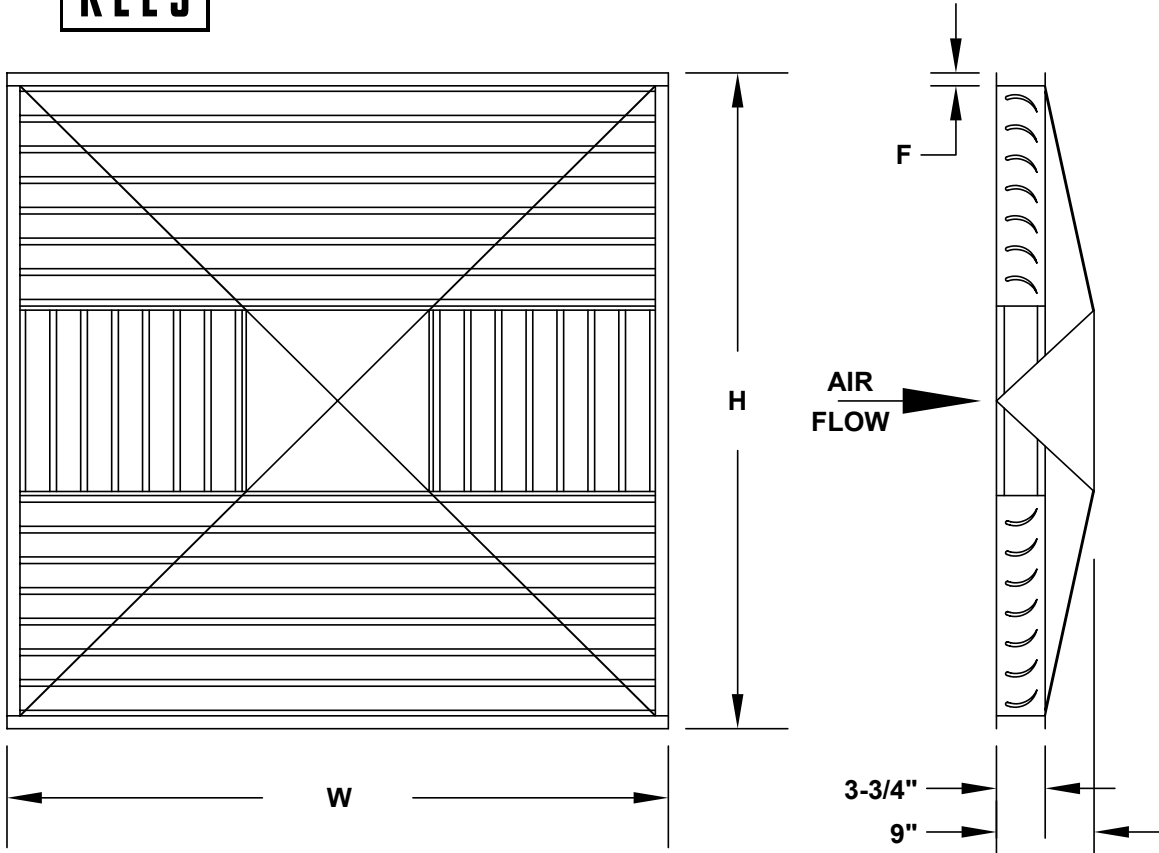


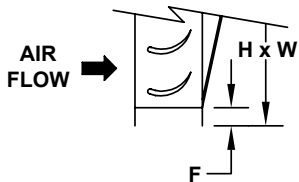


# AIR MIX<sup>X</sup>ER

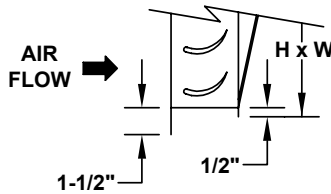
Patent #5,364,305



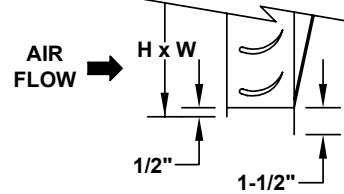
**STANDARD MOUNTING**  
Channel Frame



**MOUNTING OPTION A**  
Frame On Air Entering Side



**MOUNTING OPTION B**  
Frame On Air Leaving Side



QTY.	SIZE		CONSTRUCTION			MOUNTING OPTION	C.F.M.	PRESSURE DROP IN. WATER	TAG
	WIDTH "W"	HEIGHT "H"	MATERIAL	GAUGE	FINISH				

- Units are made 1/4" undersized in each outside dimension.
- Units 12 x 12 thru 96 x 96 and rectangular sizes thru 144 x 96 can be shipped in one piece.

- F = 1/2 in. on lengths up to and including 36 in.
- F = 3/4 in. on lengths more than 36 in. up to 60 in.
- F = 1 in. on lengths 60 in. and over

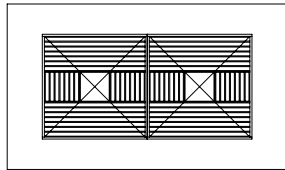
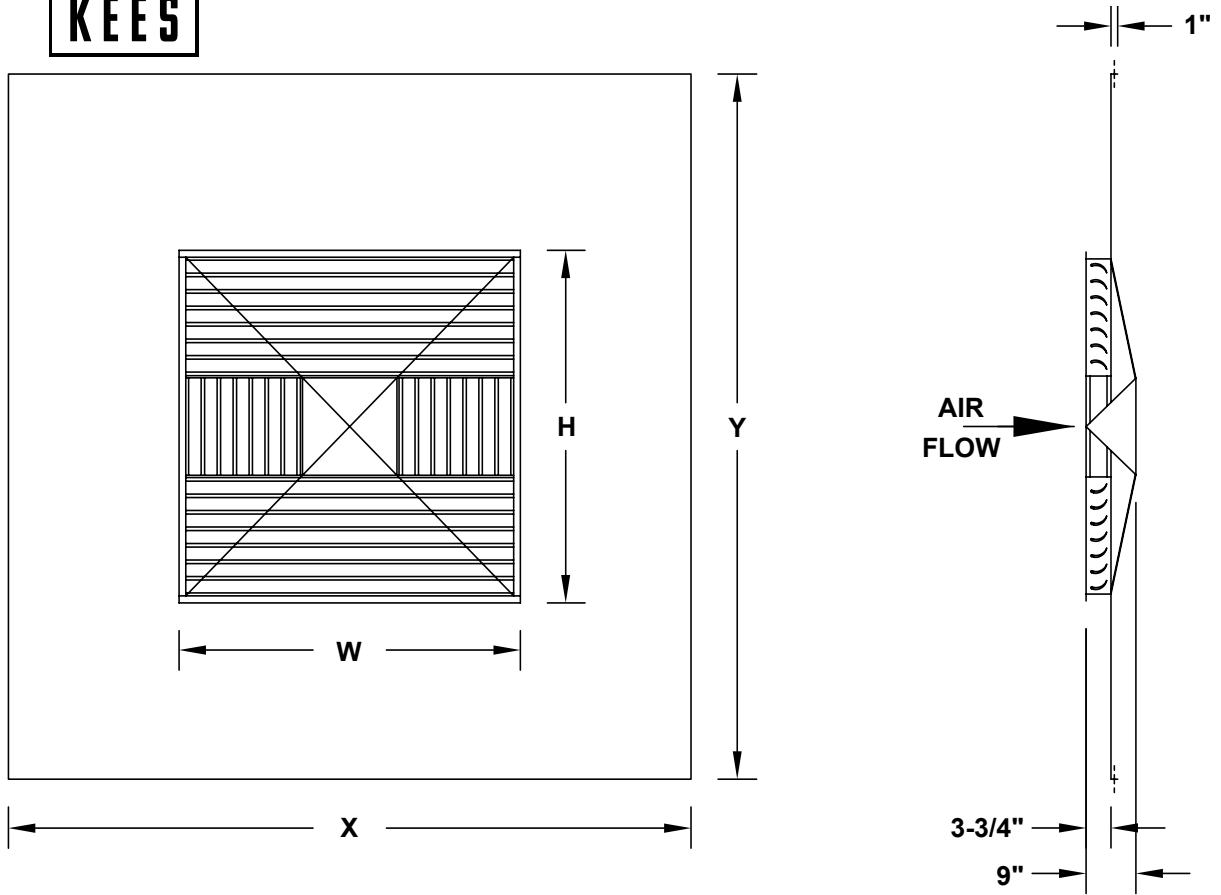
To maintain KEES' policy of continuous product development, we reserve the right to change prices, specifications, ratings and dimensions without notice or obligation.

<b>Project</b>				<b>Location</b>		
<b>Engineer</b>				<b>Dwg. No.</b>	<b>SD-MX</b>	<b>KEES INCORPORATED</b> 400 S. Industrial Dr. Elkhart Lake, WI 53020 Phone: (920) 876-3391 Fax: (920) 876-3065 Website: www.kees.com
<b>Architect</b>				<b>Date</b>	<b>09/98</b>	
<b>Contractor</b>						

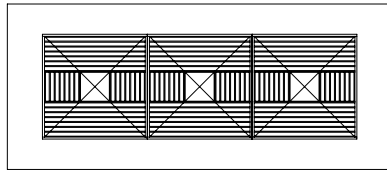


# PM-AIR MIX<sup>x</sup>ER IN PANEL

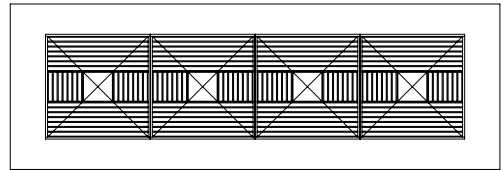
Patent #5,364,305



TWO MIX<sup>x</sup>ERS IN PANEL



THREE MIX<sup>x</sup>ERS IN PANEL



FOUR MIX<sup>x</sup>ERS IN PANEL

QTY.	PANEL OVERALL SIZE		NUMBER OF MIX <sup>x</sup> ERS	MIX <sup>x</sup> ER SIZE		CONSTRUCTION MATERIAL		C.F.M.	PRESSURE DROP IN. WATER	TAG
	WIDTH "X"	HEIGHT "Y"		WIDTH "W"	HEIGHT "H"	MIX <sup>x</sup> ER	PANEL			

1. Panel is made 1/4" undersized in each outside dimension.
2. Panels thru 48 in. largest dimension shipped assembled. Larger units shipped knocked down unless requested to be factory assembled.
3. Standard finishes: Mill for aluminum mixer or panel. Galvanized panel unpainted.

To maintain KEES' policy of continuous product development, we reserve the right to change prices, specifications, ratings and dimensions without notice or obligation.

Project		Location	
Engineer		Dwg. No. SD-MXP	
Architect		Date 09/17	
Contractor		Date 09/17	



**KEES INCORPORATED**  
 400 S. Industrial Dr.  
 Elkhart Lake, WI 53020  
 Phone: (920) 876-3391  
 Fax: (920) 876-3065  
 Website: www.kees.com