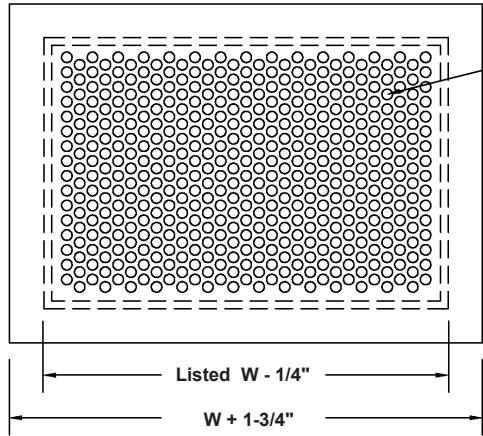
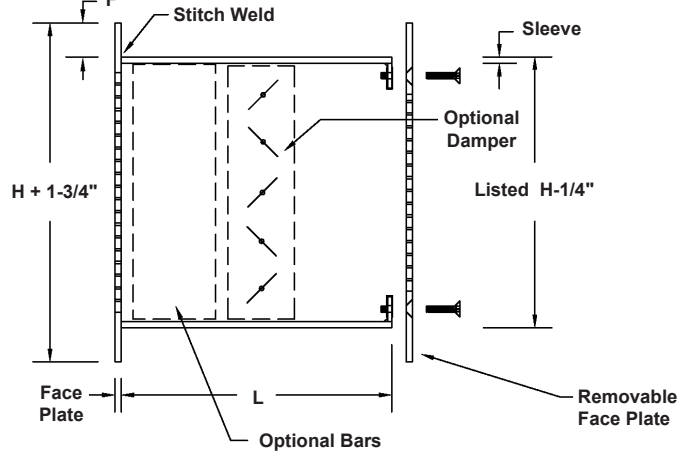


SEG-9SP3TG SECURITY TRANSFER GRILLE – REMOVABLE FACE

Complies with NIC recommendations and California BoP Title 24



Round Holes on 60° Staggered Centers



STANDARD CONSTRUCTION

Face: 3/16" thick steel stitch welded to sleeve. 1" face flange.
Hole Pattern: 3/16" diameter holes on 9/32" staggered centers.
Sleeve: 3/16" steel with continuously welded or formed seams.
Finish: Two part polyurethane inside and out. White.

REQUIRED CONSTRUCTION:

- Face Material:** 3/16" steel (Std.)
 10 ga. steel
 12 ga. steel
 Other _____
- Hole Pattern:** 3/16" dia. holes on 9/32" centers (Std.)
 Other _____
- Flange "F":** 1" (Std.)
 Other _____
- Sleeve Material:** 3/16" steel (Std.)
 10 ga. steel
 12 ga. steel
 14 ga. steel
 Other _____
- Finish:** White (Std.)
 Other _____

MOUNTING OPTIONS:

- 26.** Countersunk screw holes in removable face 10" o.c. with #10-24 x 1" long Torx security machine screws. Screws thread into foldover nuts 10 ga. steel internal flange stitch welded to sleeve.


ACCESSORIES:

- 16F.** Opposed blade damper tack welded into sleeve. operable through fixed face..
- 16R.** Opposed blade damper tack welded into sleeve, operable through removable face.
- 21.** 2-1/2" x 3/8" hot rolled steel vertical security bars 4" o.c., welded to sleeve.
- Other:** _____

**For sizes over 18" x 18" see
 Drawing No. SEG-9SP3TG**

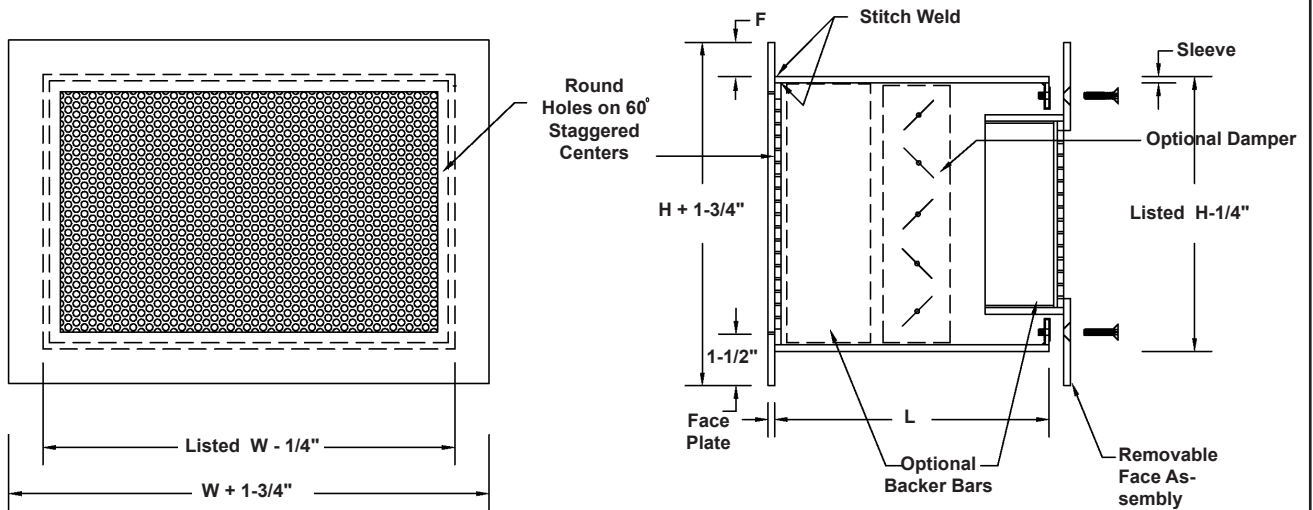
Qty.	Listed Size		Sleeve O.D.		Masonry Opening		Sleeve Length L	Wall Thickness	Mounting	Accessories	Tag
	W	H	W	H	W	H					

To maintain KEES' policy of continuous product improvement, we reserve the right to change prices, specifications, ratings or dimensions without notice or obligation.

Project				Location			
Architect / Engineer				Dwg. No. SEG-9SP31TGw 06/10/08		KEES INCORPORATED 400 S. Industrial Dr. Elkhart Lake, WI 53020 Phone: (920) 876-3391 Fax: (920) 876-3065 Website: www.kees.com	
Contractor							
Representative							

SEG-9SP3TG SECURITY TRANSFER GRILLE

Complies with NIC recommendations and California BoP Title 24



STANDARD CONSTRUCTION:

Flange: 3/16" steel stitch welded to sleeve. 1" face flange.
Face: 3/16 thick steel stitch welded to sleeve. 3/16" diameter holes on 9/32" staggered centers.
Sleeve: 3/16" steel with continuously welded or formed seams.
Finish: Two part polyurethane inside and out. White.

REQUIRED CONSTRUCTION:

- Flange Material:** 3/16" steel (Std.)
 10 ga. steel
 12 ga. steel
 Other _____
- Face:** .187" thick with 3/16" dia. holes on 9/32" centers. (Std.)
 Other _____
- Flange "F":** 1" (Std.)
 Other _____
- Sleeve Material:** 3/16" steel (Std.)
 10 ga. steel
 12 ga. steel
 Other _____
- Finish:** White (Std.)
 Other _____

MOUNTING OPTIONS:

- 26.** Countersunk screw holes in removable face 10" o.c. with #10-24 x 1" long Torx security machine screws. Screws thread into foldover nuts on 10 ga. steel flange that is stitch welded to sleeve interior.

ACCESSORIES:

- 16F.** Opposed blade damper tack welded into sleeve. operable through fixed face..
- 16R.** Opposed blade damper tack welded into sleeve, operable through removable face.
- 21.** 2-1/2" x 3/8" hot rolled steel vertical security bars 4" o.c., welded to sleeve.
- Other:** _____

**For sizes 18" x 18" and under see
 Drawing No. SEG-9SP31TG**

Qty.	Listed Size		Sleeve O.D.		Masonry Opening		Sleeve Length L	Wall Thickness	Accessories	Mounting Option	Tag
	W	H	W	H	W	H					

To maintain KEES' policy of continuous product improvement, we reserve the right to change prices, specifications, ratings or dimensions without notice or obligation.

Project		Location	
Architect / Engineer			 KEES INCORPORATED 400 S. Industrial Dr. Elkhart Lake, WI 53020 Phone: (920) 876-3391 Fax: (920) 876-3065 Website: www.kees.com
Contractor	Dwg. No.	SEG-9SP3TGw 06/10/08	
Representative	Date		