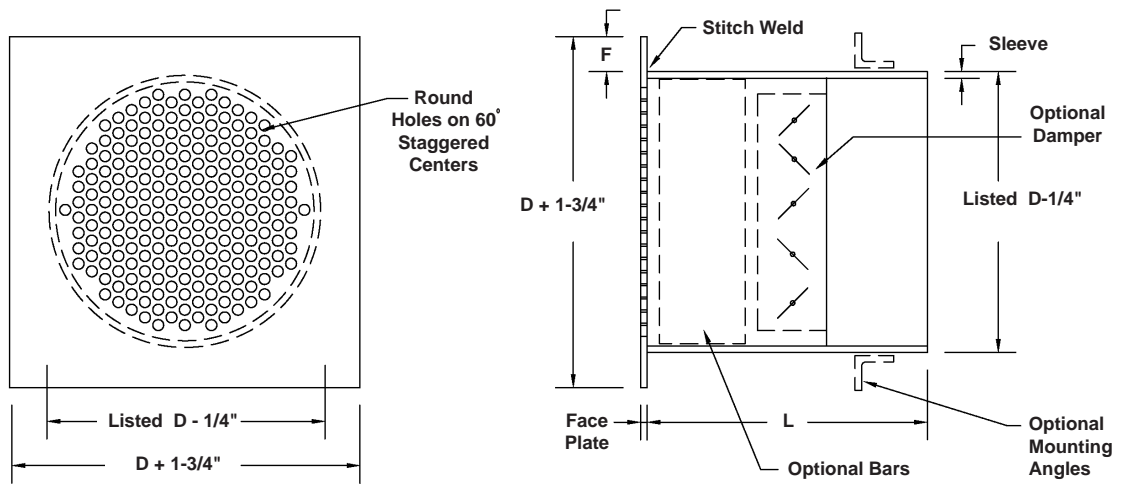


# SEG-9RD SECURITY GRILLE — ROUND SLEEVE



### STANDARD CONSTRUCTION

**Face:** 3/16" thick steel square face stitch welded to sleeve. 1" face flange.  
**Hole Pattern:** 5/16" diameter holes on 7/16" staggered centers.  
**Sleeve:** 10 ga. steel with continuously welded or formed seams.  
**Finish:** Two part polyurethane inside and out. White.

### REQUIRED CONSTRUCTION:

- Face Shape:**  Square (Std.)  
 Round
- Face Material:**  3/16" steel (Std.)  
 10 ga. steel  
 Other \_\_\_\_\_
- Hole Pattern:**  5/16" dia. holes on 7/16" centers (Std.)  
 1/4" dia. holes on 3/8" centers  
 Other \_\_\_\_\_
- Flange "F":**  1" (Std.)  
 Other \_\_\_\_\_
- Sleeve Material:**  10 ga. steel (Std.)  
 3/16" steel (not available for some sizes)  
 12 ga. steel  
 Other \_\_\_\_\_
- Finish:**  White (Std.)  
 Other \_\_\_\_\_
- Other Material:**  SEG-9RDA all aluminum  
 SEG-9RDSS all stainless steel (Consult factory for available thickness')

### MOUNTING OPTIONS:

- 11A.** Two loose pieces of 1" x 1" x 3/16" mill finish steel angle loose for field welding. Length equal to flange o.d. of grille. Other angle size \_\_\_\_\_
- 11B.** Rear angle frame (square) of 1" x 1" x 3/16" mill finish steel completely assembled for field welding. Other angle size \_\_\_\_\_
- 11R.** Rear angle ring for field welding to sleeve. Mill finish steel. Angle size varies by diameter.  
to 5" dia. 1" x 1" x 1/8"  
6" to 11" dia. 1-1/4" x 1-1/4" x 1/8"  
12" to 15" dia. 1-1/2" x 1-1/2" x 1/8"  
16" to 24" dia. 1-1/2" x 1-1/2" x 3/16"  
25" to 48" dia. 2" x 2" x 3/16"
- 23.** Masonry anchors: 1/2" x 3" Anchors 16" o.c., four per grille minimum, welded to sleeve exterior. Other size or spacing \_\_\_\_\_
- 25.** Countersunk screw holes in face 10" o.c. with #10 x 1-1/2" long Torx security sheet metal screws. Other screw length \_\_\_\_\_

### ACCESSORIES:

- 16F.** Face operated opposed blade damper tack welded into sleeve. Damper is square with blankoff. Dampers are adjustable using flat bladed screwdriver.
- 16R.** Rear operated opposed blade damper tack welded into sleeve. Damper is square with blankoff. Dampers are adjustable using flat bladed screwdriver.
- 21.** 2-1/2" x 3/8" hot rolled steel vertical security bars 4" o.c., welded to sleeve.
- Other:** \_\_\_\_\_

Qty.	Listed Size Diameter	Sleeve O.D. Diameter	Masonry Opening Diameter	Sleeve Length L	Wall/Ceiling Thickness	Accessories	Mounting Option	Tag

To maintain KEESS' policy of continuous product improvement, we reserve the right to change prices, specifications, ratings or dimensions without notice or obligation.

<b>Project</b>		<b>Location</b>	
<b>Architect / Engineer</b>			
<b>Contractor</b>		<b>Dwg. No.</b>	SEG-9RDw 04/20/10
<b>Representative</b>		<b>Date</b>	

**KEES INCORPORATED**  
Elkhart Lake, WI 53020  
Phone: (920) 876-3391  
Fax: (920) 876-3065  
Website: www.kees.com