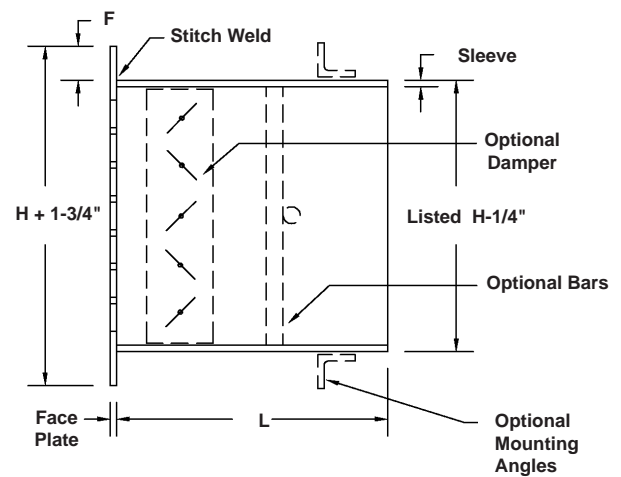
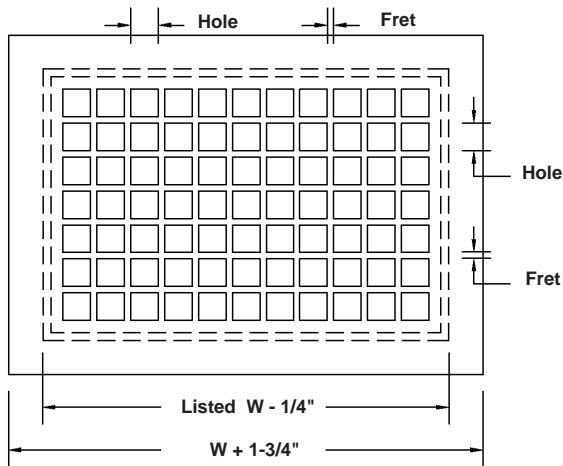


SEG-8 SECURITY GRILLE – SUPPLY OR RETURN



STANDARD CONSTRUCTION

Face: 14 ga. steel stitch welded to sleeve. 1" face flange.
Hole Pattern: 3/4" square holes with 1/4" frets.
Sleeve: 14 ga. steel with continuously welded or formed seams.
Finish: Two part polyurethane inside and out. White.

REQUIRED CONSTRUCTION:

- Face Material:** 14 ga. steel (Std.)
 12 ga. steel
 10 ga. steel
 Other _____
- Hole Pattern:** 3/4" square holes with 1/4" frets (Std.)
 13/16" square holes with 3/16" frets
 1/2" square holes with 3/16" frets
 Other _____
- Flange "F":** 1" (Std.)
 Other _____
- Sleeve Material:** 14 ga. steel (Std.)
 12 ga. steel
 10 ga. steel
 Other _____
- Finish:** White (Std.)
 Other _____
- Other Material:** **SEG-8A** all aluminum construction
1/8" thick.
 SEG-8SS all stainless steel construction
14 ga. type 304.

MOUNTING OPTIONS:

- 11A.** Two loose pieces of 1" x 1" x 1/8" mill finish steel angle loose for field welding. Length equal to longest side of grille. Other angle size _____
- 11B.** Rear angle frame of 1" x 1" x 1/8" mill finish steel completely assembled for field welding. Other angle size _____
- 12A.** Rear angle frame for bolting to sleeve. 1" x 1" x 1/8" steel with bolt holes 8" o.c. for 1/4" dia. bolts. No holes in sleeve. No bolts, nuts or washers. Other angle size _____
- 12B.** Same as **12A** with addition of bolt holes in sleeve. (Advise wall or ceiling thickness). Other angle size _____
- 23.** Masonry anchors: 1/2" x 3" Anchors 16" o.c., one per side minimum, welded to sleeve exterior. Other size or spacing _____
- 24.** Countersunk screw holes in face 10" o.c. with #10-24 x 2" long Torx security machine screws for 1-1/2" maximum ceiling thickness. 1" x 1" x 1/8" steel angle frame with matching holes and foldover nuts. Requires 1-1/2" flange.
- 25.** Countersunk screw holes in face 10" o.c. with #10 x 1-1/2" long Torx security screws. Other screw length _____

ACCESSORIES:

- 16F.** Face operated opposed blade damper tack welded into sleeve. Dampers are adjustable using flat bladed screwdriver.
- 16R.** Rear operated opposed blade damper tack welded into sleeve. Dampers are adjustable using flat bladed screwdriver.
- 19.** 1/2" dia. A-36 mild steel security bars 6" o.c. both ways, welded to sleeve and at intersections.
- Other:** _____

Qty.	Listed Size		Sleeve O.D.		Masonry Opening		Sleeve Length L	Wall / Ceiling Thickness	Accessories	Mounting Option	Tag
	W	H	W	H	W	H					

To maintain KEES' policy of continuous product improvement, we reserve the right to change prices, specifications, ratings or dimensions without notice or obligation.

Project				Location			
Architect / Engineer				<div style="display: flex; align-items: center;"> <div> <p>KEES INCORPORATED Elkhart Lake, WI 53020 Phone: (920) 876-3391 Fax: (920) 876-3065 Website: www.kees.com</p> </div> </div>			
Contractor			Dwg. No.				
Representative			Date				