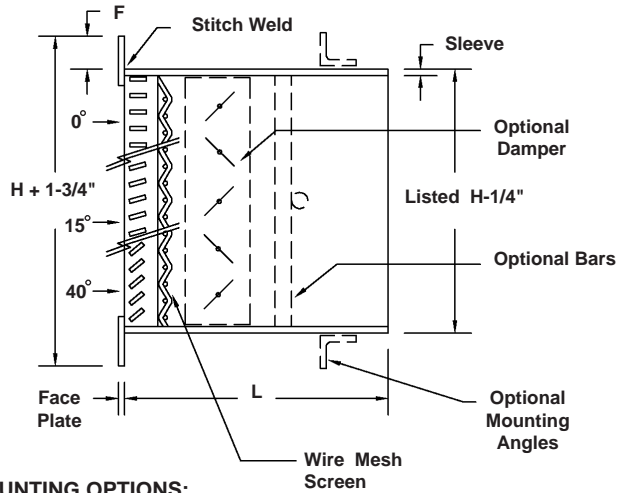
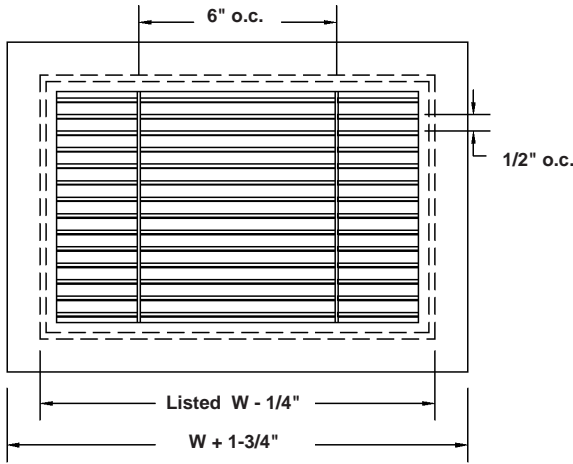


SEG-5 SECURITY GRILLE – SUPPLY OR RETURN



STANDARD CONSTRUCTION

Face: 14 ga. steel stitch welded to sleeve. 1" face flange.
Blades: 1/2" x 1/8" steel bars on 1/2" centers. Available on 40 degree (Std.) deflection, 0 or 15 degree. Blades penetrate supports and are welded to sleeve.
Supports: 14 ga. steel 6" o.c., stitch welded inside sleeve.
Screen: 10 ga. (.135" dia. wire) x #2 mesh (1/2" centers).
Sleeve: 14 ga. steel with continuously welded or formed seams.
Finish: Two part polyurethane inside and out. White.

REQUIRED CONSTRUCTION:

- Face Material:** 14 ga. steel (Std.)
 Other _____
- Deflection:** 40 degree (Std.)
 15 degree
 0 degree
- Flange "F":** 1" (Std.)
 Other _____
- Screen:** 10 ga. (.135" dia. wire) x #2 mesh (Std.)
 No screen.
 Other _____
- Sleeve Material:** 14 ga. steel (Std.)
 Other _____
- Finish:** White (Std.)
 Other _____
- Other Material:** **SEG-5A** all aluminum construction.
 SEG-5SS all stainless steel construction.

MOUNTING OPTIONS:

- 11A.** Two loose pieces of 1" x 1" x 1/8" mill finish steel angle loose for field welding. Length equal to longest side of grille. Other angle size _____
- 11B.** Rear angle frame of 1" x 1" x 1/8" mill finish steel completely assembled for field welding. Other angle size _____
- 12A.** Rear angle frame for bolting to sleeve. 1" x 1" x 1/8" steel with bolt holes 8" o.c. for 1/4" dia. bolts. No holes in sleeve. No bolts, nuts or washers. Other angle size _____
- 12B.** Same as option 12A but with addition of bolt holes in sleeve. (Advise wall or ceiling thickness). Other angle size _____
- 23.** Masonry anchors: 1/2" x 3" anchors 16" o.c., one per side minimum, welded to sleeve exterior. Other size or spacing _____
- 24.** Countersunk screw holes in face 10" o.c. with #10-24 x 2" long Torx security machine screws for 1-1/2" maximum ceiling thickness. 1" x 1" x 1/8" steel angle frame with matching holes and foldover nuts. Requires 1-1/2" flange.
- 25.** Countersunk screw holes in face 10" o.c. with #10 x 1-1/2" long Torx security screws. Other screw length _____

ACCESSORIES:

- 16F.** Face operated opposed blade damper tack welded into sleeve. Dampers are adjusted using flat bladed screwdriver.
- 16R.** Rear operated opposed blade damper tack welded into sleeve.
- 19.** 1/2" dia. A-36 mild steel bars 6" o.c. both ways, welded to sleeve and at intersections.
- Other:** _____

Qty.	Listed Size		Sleeve O.D.		Masonry Opening		Sleeve Length L	Wall / Ceiling Thickness	Accessories	Mounting Option	Tag
	W	H	W	H	W	H					

To maintain KEESS' policy of continuous product improvement, we reserve the right to change prices, specifications, ratings or dimensions without notice or obligation.

Project		Location	
Architect / Engineer			
Contractor	Dwg. No.	SEG-5w 05/21/08	
Representative	Date		

KEES INCORPORATED
 Elkhart Lake, WI 53020
 Phone: (920) 876-3391
 Fax: (920) 876-3065
 Website: www.kees.com