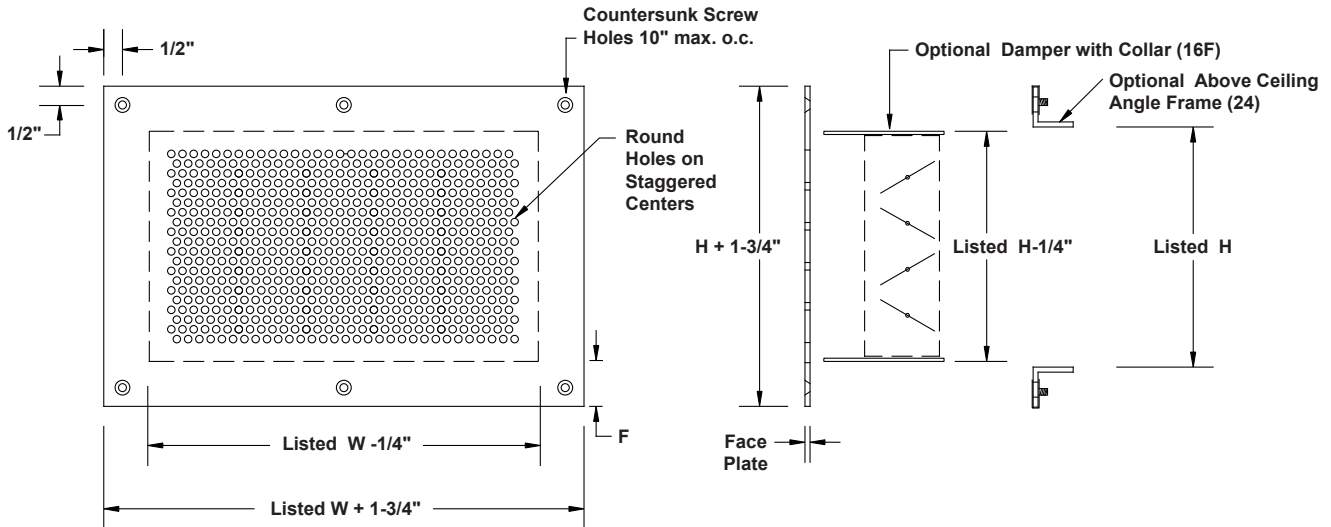


SEG-4P3 SECURITY GRILLE — SUPPLY OR RETURN

Complies with NIC recommendations and California BoP Title 24



STANDARD CONSTRUCTION

Face: 14 ga. steel. 1" minimum face flange.
Hole Pattern: 3/16" round holes on 9/32" staggered centers.
Finish: Two part polyurethane. White. 24" x 24" Max. listed size.

REQUIRED CONSTRUCTION:

- Face Material:** 14 ga. steel (Std.)
 12 ga. steel
 10 ga. steel
 Other _____
- Hole Pattern:** 3/16" round holes on 9/32" staggered centers. (Std.)
 Other _____
- Flange "F":** 1" (Std.)
 1-1/2" (Opt. 24)
 Other _____
- Finish:** White (Std.)
 Other _____

MOUNTING OPTIONS:

- 25.** (Std) Countersunk screw holes in face 10" o.c. with #10 x 1-1/2" long Torx security flat head sheet metal screws. Other screw style/size/length _____
- 24.** Countersunk screw holes in face 10" o.c. with #10-24 x 2" long Torx security flat head machine screws for 1-1/2" maximum ceiling thickness. 1" x 1" x 1/8" steel angle frame with matching holes and foldover nuts. Requires 1-1/2" flange.
- None.**

ACCESSORIES:

- 16F.** Face operated opposed blade damper tack welded into 3" deep collar that is stich welded to rear of face plate. Dampers are adjustable using flat bladed screwdriver.
- SXR.** Square to round transition. Light ga. galvanized steel shipped loose for field installation. Advise round size _____
- Other Options:** _____

Qty.	Listed Size		Face O.D.		Masonry Opening		Accessories	Damper	Mounting Option	Tag
	W	H	W	H	W	H				

To maintain KEES' policy of continuous product improvement, we reserve the right to change prices, specifications, ratings or dimensions without notice or obligation.

Project		Location	
Architect / Engineer			
Contractor		Dwg. No.	SEG-4P3w 06/18/20
Representative		Date	

KEES INCORPORATED
 Elkhart Lake, WI 53020
 Phone: (920) 876-3391
 Fax: (920) 876-3065
 Website: www.kees.com