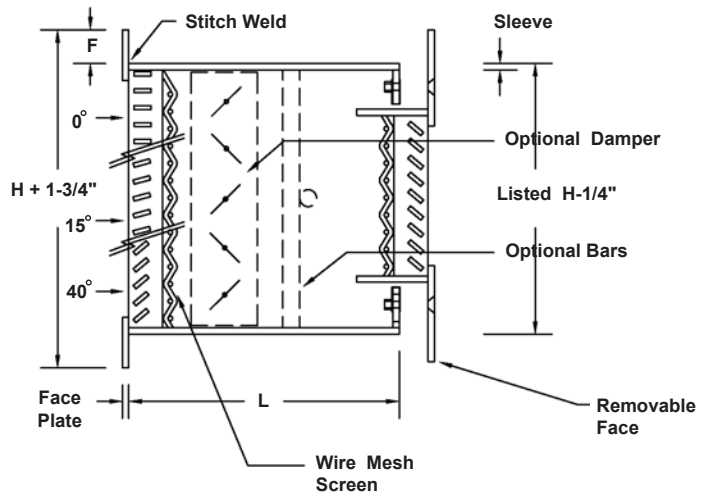
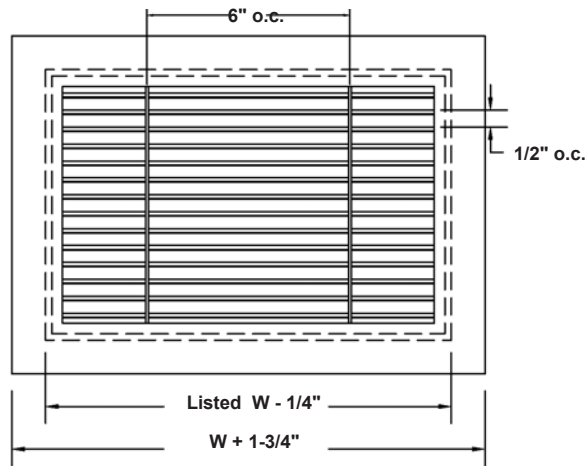


SEG-5TG SECURITY TRANSFER GRILLE REMOVABLE FACE



STANDARD CONSTRUCTION

Face: 14 ga. steel stitch welded to sleeve. 1" face flange.
Blades: 1/2" x 1/8" steel bars on 1/2" centers. Available on 40 degree (Std.) deflection, 0 or 15 degree. Blades penetrate supports and are welded to sleeve.
Supports: 14 ga. steel 6" o.c., stitch welded inside sleeve.
Screen: 10 ga. (.135" dia. wire) x #2 mesh (1/2" centers).
Sleeve: 14 ga. steel with continuously welded or formed seams.
Finish: Two part polyurethane inside and out. White.

REQUIRED CONSTRUCTION:

- Face Material:** 14 ga. steel (Std.)
 Other _____
- Deflection:** 40 degree (Std.)
 15 degree
 0 degree
- Flange "F":** 1" (Std.)
 Other _____
- Screen:** 10 ga. (.135" dia. wire) x #2 mesh (Std.)
 No screen.
 Other _____
- Sleeve Material:** 14 ga. steel (Std.)
 Other _____
- Finish:** White (Std.)
 Other _____
- Other Material:** **SEG-5TGA** all aluminum construction.
 SEG-5TGSS all type 304 stainless steel construction.

MOUNTING OPTIONS:

- 26.** Transfer grille with one face stitch welded to sleeve, one removable to allow installation in existing wall. Internal flange stitch welded to sleeve with foldover nuts. Countersunk screw holes in removable face and #10-24 x 1" Torx security machine screws

ACCESSORIES:

- 16F.** Face operated opposed blade damper tack welded into sleeve. Dampers are adjustable using flat bladd screwdriver.
- 19.** 1/2" dia. A-36 mild steel bars 6" o.c. both ways, welded to sleeve and at intersections.
- Other:** _____

Qty.	Listed Size		Sleeve O.D.		Masonry Opening		Sleeve Length L	Wall Thickness	Accessories	Mounting Option	Tag
	W	H	W	H	W	H					

To maintain KEES' policy of continuous product improvement, we reserve the right to change prices, specifications, ratings or dimensions without notice or obligation.

Project				Location			
Architect / Engineer				Contractor			
Representative				Dwg. No. SEG-5TGw 05/21/08		Date	



KEES INCORPORATED
 Elkhart Lake, WI 53020
 Phone: (920) 876-3391
 Fax: (920) 876-3065
 Website: www.kees.com