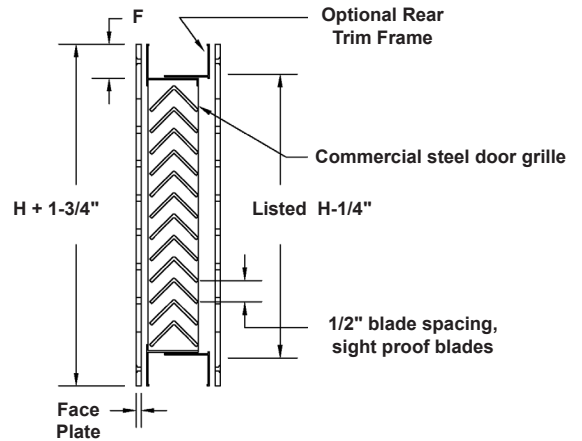
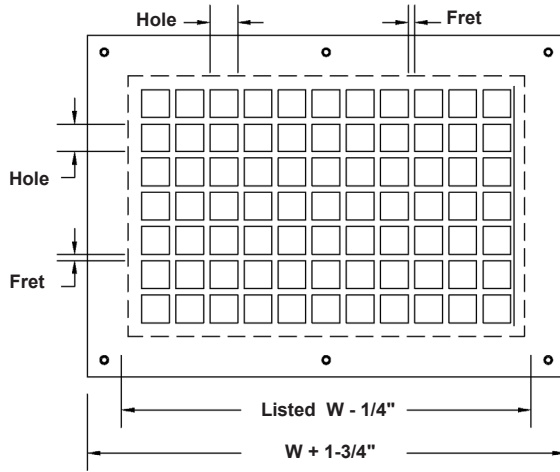


SEG-4DG SECURITY DOOR GRILLE



STANDARD CONSTRUCTION

Faces: Two 12 ga. steel face plates covering commercial steel door grille. 1" face flange.

Hole Pattern: 13/16" square holes with 3/16" frets.

Finish: Two part polyurethane on face plates. White.

REQUIRED CONSTRUCTION:

- Face Material:** 12 ga. steel (Std.)
 14 ga. steel
 10 ga. steel
 Other _____

- Hole Pattern:** 13/16" square holes with 3/16" frets (Std.)
 3/4" square holes with 1/4" frets
 1/2" square holes with 3/16" frets
 5/16" round holes on 7/16" staggered centers
 Other _____

- Flange "F":** 1" (Std.)
 Other _____

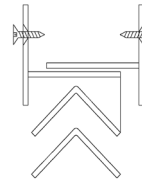
- Finish:** White (Std.)
 Other _____

- Other Material:** SEG-4DGA aluminum construction.
 SEG-4DGSS stainless steel construction

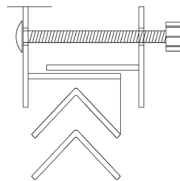
MOUNTING OPTIONS:

- Rear Trim Frame:** Same material and thickness as commercial grille. Fits doors from 1-3/8" to 2-1/4" thick.

- 25.** Countersunk screw holes in face 10" o.c. with #10 x 1" long Torx security screws. Other screw length _____



- 35.** Straight screw holes in face 10" o.c. with #10-24 x 2" long carriage bolts and Nylock nuts.



- Other:** _____

Qty.	Listed Size		Sleeve O.D.		Door Opening		Minimum Door Thickness	Maximum Door Thickness	Trim Frame	Mounting Option	Tag
	W	H	W	H	W	H					

To maintain KEES' policy of continuous product improvement, we reserve the right to change prices, specifications, ratings or dimensions without notice or obligation.

Project				Location			
Architect / Engineer				Contractor			
Representative				Dwg. No. SEG-4DGw 07/26/11		Date	

KEES INCORPORATED
 Elkhart Lake, WI 53020
 Phone: (920) 876-3391
 Fax: (920) 876-3065
 Website: www.kees.com