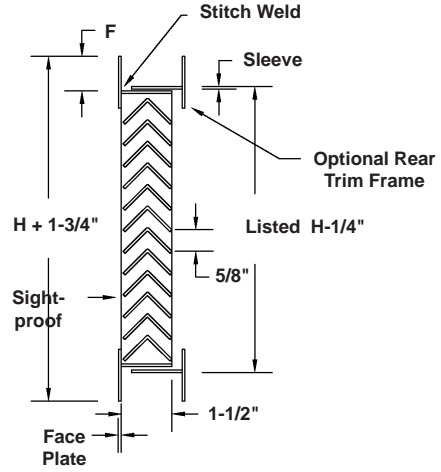
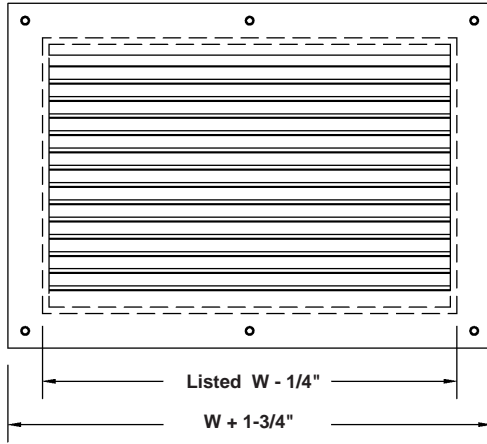


# SEG-13DG SECURITY DOOR GRILLE



**STANDARD CONSTRUCTION**

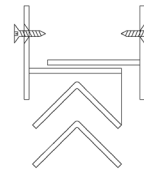
**Face:** 14 ga. steel stitch welded to sleeve. 1" face flange.  
**Blades:** 1" x 1" x 14 ga. steel angles on 5/8" centers. Blades penetrate and are welded to sleeve.  
**Sleeve:** 14 ga. steel with continuously welded or formed seams.  
**Finish:** Two part polyurethane inside and out. White.

**REQUIRED CONSTRUCTION:**

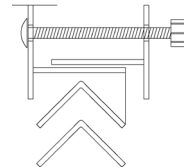
- Face Material:**  14 ga. steel (Std.)  
 10 ga. steel  
 Other \_\_\_\_\_
- Blade Material:**  14 ga. steel (Std.)  
 10 ga. steel
- Blade Centers:**  5/8" (Std.)  
 Other \_\_\_\_\_
- Flange "F":**  1" (Std.)  
 Other \_\_\_\_\_
- Sleeve Material:**  14 ga. steel (Std.)  
 10 ga. steel  
 Other \_\_\_\_\_
- Finish:**  White (Std.)  
 Other \_\_\_\_\_
- Other Material:**  SEG-13DGA all aluminum construction.  
 SEG-13DGSS all stainless steel construction

**MOUNTING OPTIONS:**

- Rear Trim Frame:** Same material and thickness as face and sleeve.
- 25.** Countersunk screw holes in face 10" o.c. with #10 x 1" long Torx security sheet metal screws. Other screw length \_\_\_\_\_



- 35.** Straight screw holes in face 10" o.c. with #10-24 x 2" long carriage bolts and Nylock nuts.



- Other:** \_\_\_\_\_  
 \_\_\_\_\_  
 \_\_\_\_\_

Qty.	Listed Size		Sleeve O.D.		Door Opening		Sleeve Length L	Door Thickness	Trim Frame	Mounting Option	Tag
	W	H	W	H	W	H					

To maintain KEES' policy of continuous product improvement, we reserve the right to change prices, specifications, ratings or dimensions without notice or obligation.

<b>Project</b>				<b>Location</b>			
<b>Architect / Engineer</b>				<b>Contractor</b>			
<b>Representative</b>				<b>Dwg. No.</b> SEG-13DGw 06/10/08		<b>Date</b>	

**KEES INCORPORATED**  
 Elkhart Lake, WI 53020  
 Phone: (920) 876-3391  
 Fax: (920) 876-3065  
 Website: www.kees.com