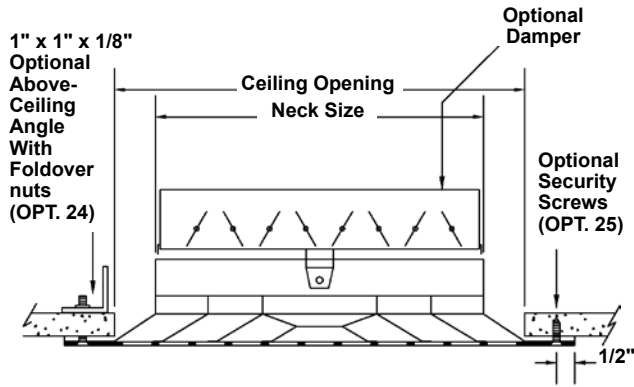
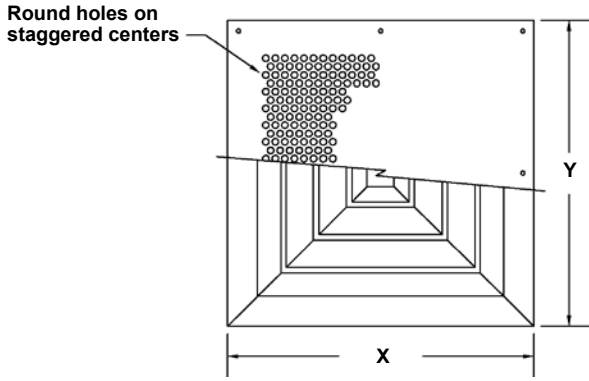


# MODEL SDP — SECURITY CEILING DIFFUSER



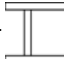
## STANDARD CONSTRUCTION

**Face:** 12 ga. steel.  
**Hole Pattern:** 5/16" round holes on 7/16" staggered centers.  
**Diffuser:** Commercial surface mount ceiling diffuser.  
 \*Neck sizes are available in 3" increments only.  
**Finish:** Two part polyurethane. White.

## REQUIRED CONSTRUCTION:

- Face Material:**
- 12 ga. steel (Std.)
  - 14 ga. steel
  - 10 ga. steel
  - Other \_\_\_\_\_
- Hole Pattern:**
- 5/16" round holes on 7/16" staggered centers (Std.)
  - 1/4" round holes on 3/8" staggered centers.
  - Other \_\_\_\_\_
- Finish:**
- White (Std.)
  - Other \_\_\_\_\_
- Other Material:**
- SDP-A** all aluminum construction. 10 ga. (.100") thick face, aluminum diffuser
  - SDP-SS** all stainless steel construction. 12 ga. type 304 face, stainless steel diffuser.

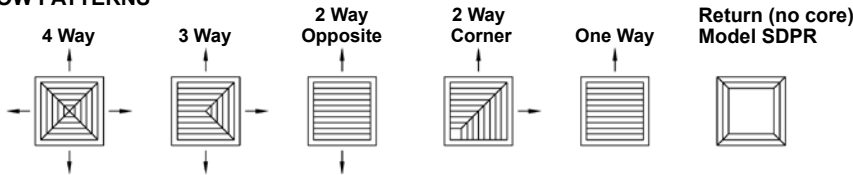
## MOUNTING OPTIONS:

- 25A.** (Std) Countersunk screw holes in face 10" o.c. with #10 x 2" long Torx security sheet metal screws. Clearance hole in diffuser for securing to structure above diffuser. Other screw style/size/length \_\_\_\_\_
- 25B.** Countersunk screw holes in face 10" o.c. with #10 x 1" long Torx security sheet metal screws. Starter hole in diffuser for securing face plate directly to diffuser. Other screw style/size/length \_\_\_\_\_
- 24.** Countersunk screw holes in face 10" o.c. with #10-24 x 2" long Torx security machine screws for 1-1/2" maximum ceiling thickness. 1" x 1" x 1/8" steel angle frame with matching holes and foldover nuts. Other screw style/size/length \_\_\_\_\_
- 11H.** 1" x 1" x 1/8" angle frame with extended legs on one end. Loose for field welding to sleeve (requires option SLV). 

## ACCESSORIES:


- 16F.** Face operated opposed blade damper, loose for field installation.
- SXR.** Square to round transition, loose for field installation. Advise round size \_\_\_\_\_
- EG.** Equalizing grid, loose for field installation.
- SLV-1.** 12 ga. steel sleeve with continuously welded or formed seams, stitch welded to diffuser neck. Advise sleeve length \_\_\_\_\_
- Other Options:** \_\_\_\_\_

## THROW PATTERNS



Qty.	Neck Size *	X x Y	Ceiling Opening	Throw Pattern	Accessories	Damper	Mounting Option	Tag

To maintain KEES' policy of continuous product improvement, we reserve the right to change prices, specifications, ratings or dimensions without notice or obligation.

<b>Project</b>				<b>Location</b>						
<b>Architect / Engineer</b>				 <b>KEES INCORPORATED</b> Elkhart Lake, WI 53020 Phone: (920) 876-3391 Fax: (920) 876-3065 Website: www.kees.com						
<b>Contractor</b>									<b>Dwg. No.</b>	SDPw 10/15/13
<b>Representative</b>									<b>Date</b>	