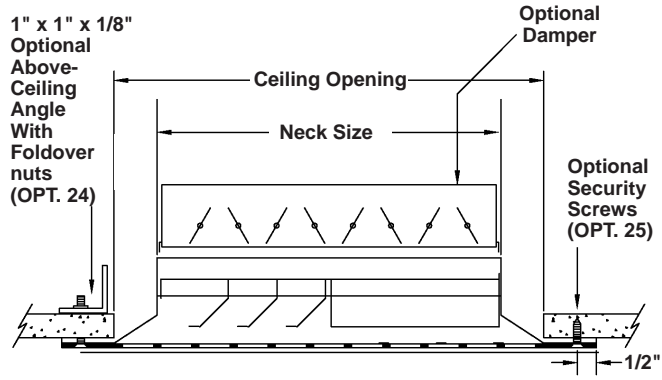
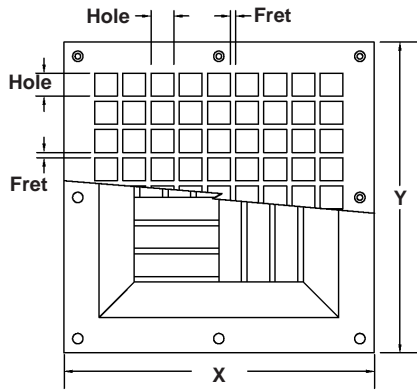


MODEL SDM MODULAR CORE SECURITY CEILING DIFFUSER



STANDARD CONSTRUCTION

Face: 12 ga. steel.
Hole Pattern: 13/16" square holes with 3/16" frets.
Diffuser: Commercial modular core surface mount ceiling diffuser.
 *Neck sizes are available in 2" increments only.
Finish: Two part polyurethane. White.

REQUIRED CONSTRUCTION:

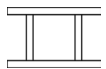
- Face Material:** 12 ga. steel (Std.)
 14 ga. steel
 10 ga. steel
 Other _____
- Hole Pattern:** 13/16" square holes with 3/16" frets (Std.)
 3/4" x 3/4" square holes with 1/4" frets
 1/2" x 1/2" holes with 3/16" frets.
 Other _____
- Finish:** White (Std.)
 Other _____
- Other Material:** **SDM-A** all aluminum construction. 10 ga. (.100") thick face, aluminum diffuser

MOUNTING OPTIONS:

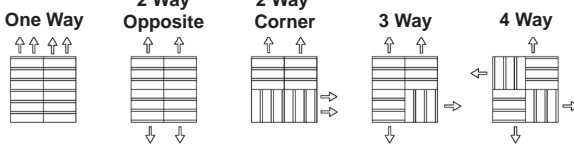
- 25A.** (Std) Countersunk screw holes in face 10" o.c. with #10 x 2" long Torx security sheet metal screws. Clearance hole in diffuser for securing to structure above diffuser. Other screw style/size/length _____
- 25B.** Countersunk screw holes in face 10" o.c. with #10 x 1" long Torx security screws. Starter hole in diffuser for securing face plate directly to diffuser. Other screw style/size/length _____
- 24.** Countersunk screw holes in face 10" o.c. with #10-24 x 2" long Torx security machine screws for 1-1/2" maximum ceiling thickness. 1" x 1" x 1/8" steel angle frame with matching holes and foldover nuts. Other screw style/size/length _____
- 11H.** 1" x 1" x 1/8" angle frame with extended legs on one end. Loose for field welding to sleeve (requires option SLV).

ACCESSORIES:

- 16F.** Face operated opposed blade damper, loose for field installation.
- SXR.** Square to round transition, loose for field installation. Advise round size _____
- EG.** Equalizing grid, loose for field installation.
- SLV-1.** 12 ga. steel sleeve with continuously welded or formed seams, stitch welded to diffuser neck. Advise sleeve length _____
- Other Options:** _____



THROW PATTERNS



Qty.	Neck Size *	X x Y	Ceiling Opening	Throw Pattern	Accessories	Damper	Mounting Option	Tag

To maintain KEES' policy of continuous product improvement, we reserve the right to change prices, specifications, ratings or dimensions without notice or obligation.

Project		Location	
Architect / Engineer		Contractor	
Contractor		Dwg. No.	SDMw 09/05/12
Representative		Date	



KEES INCORPORATED
 Elkhart Lake, WI 53020
 Phone: (920) 876-3391
 Fax: (920) 876-3065
 Website: www.kees.com