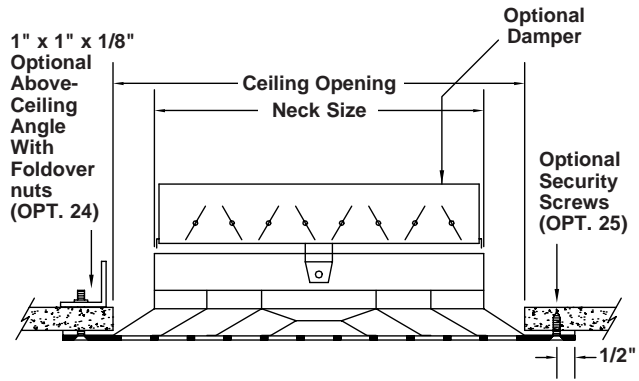
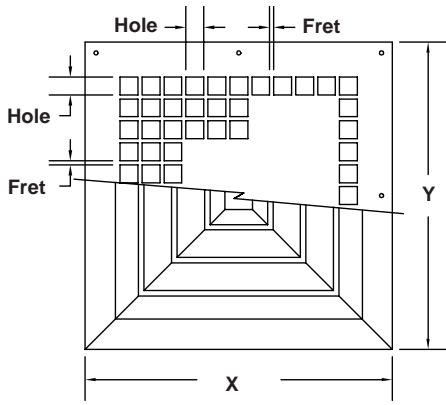


# MODEL SD — SECURITY CEILING DIFFUSER



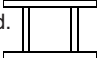
## STANDARD CONSTRUCTION

**Face:** 12 ga. steel.  
**Hole Pattern:** 13/16" square holes with 3/16" frets.  
**Diffuser:** Commercial surface mount ceiling diffuser.  
 \*Neck sizes are available in 3" increments only.  
**Finish:** Two part polyurethane. White.

## REQUIRED CONSTRUCTION:

- Face Material:**  12 ga. steel (Std.)  
 14 ga. steel  
 10 ga. steel  
 Other \_\_\_\_\_
- Hole Pattern:**  13/16" square holes with 3/16" frets (Std.)  
 3/4" x 3/4" square holes with 1/4" frets  
 1/2" x 1/2" holes with 3/16" frets.  
 Other \_\_\_\_\_
- Finish:**  White (Std.)  
 Other \_\_\_\_\_
- Other Material:**  **SD-A** all aluminum construction. 10 ga. (.100") thick face, aluminum diffuser  
 **SD-SS** all stainless steel construction. 12 ga. type 304 face, stainless steel diffuser.

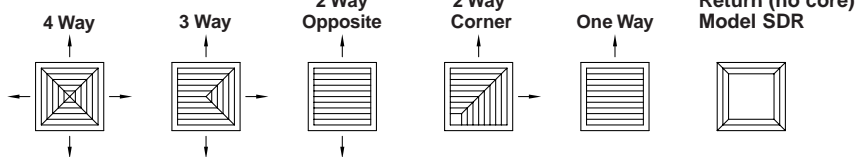
## MOUNTING OPTIONS:

- 25A.** (Std) Countersunk screw holes in face 10" o.c. with #10 x 2" long Torx security sheet metal screws. Clearance hole in diffuser for securing to structure above diffuser. Other screw style/size length \_\_\_\_\_
- 25B.** Countersunk screw holes in face 10" o.c. with #10 x 1" long Torx security sheet metal screws. Starter hole in diffuser for securing face plate directly to diffuser. Other screw style/size/length \_\_\_\_\_
- 24.** Countersunk screw holes in face 10" o.c. with #10-24 x 2" long Torx security machine screws for 1-1/2" maximum ceiling thickness. 1" x 1" x 1/8" steel angle frame with matching holes and foldover nuts. Other screw style/size/length \_\_\_\_\_
- 11H.** 1" x 1" x 1/8" angle frame with extended legs on one end. Loose for field welding to sleeve (requires option SLV). 

## ACCESSORIES:

- 16F.** Face operated opposed blade damper, loose for field installation.
- SXR.** Square to round transition, loose for field installation. Advise round size \_\_\_\_\_
- EG.** Equalizing grid, loose for field installation.
- SLV.** 12 ga. steel sleeve with continuously welded or formed seams, stitch welded to diffuser neck. Advise sleeve length \_\_\_\_\_
- Other Options:** \_\_\_\_\_

## THROW PATTERNS



Qty.	Neck Size *	X x Y	Ceiling Opening	Throw Pattern	Accessories	Damper	Mounting Option	Tag

To maintain KEES' policy of continuous product improvement, we reserve the right to change prices, specifications, ratings or dimensions without notice or obligation.

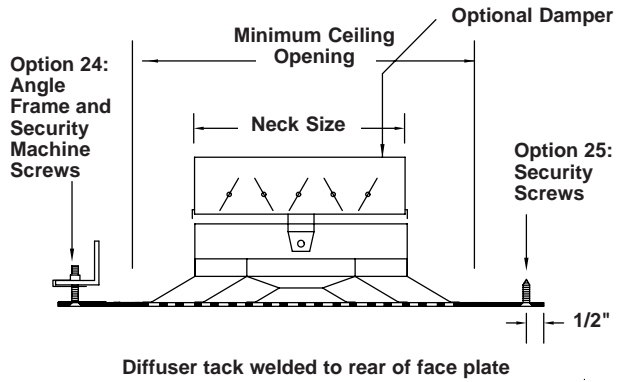
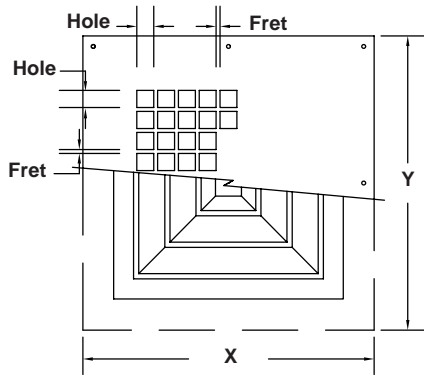
<b>Project</b>		<b>Location</b>	
<b>Architect / Engineer</b>		<b>Dwg. No.</b>	
<b>Contractor</b>		SDw 03/29/06	
<b>Representative</b>		<b>Date</b>	



**KEES INCORPORATED**  
 400 S. Industrial Dr. • P.O. Box L  
 Elkhart Lake, WI 53020  
 Phone: (920) 876-3391  
 Fax: (920) 876-3065  
 Website: www.kees.com

# MODEL SDE

## SECURITY CEILING DIFFUSER WITH EXTENDED FACE PLATE



### STANDARD CONSTRUCTION

**Face:** 12 ga. steel.  
**Hole Pattern:** 13/16" square holes with 3/16" frets.  
**Diffuser:** Commercial ceiling diffuser tack welded to rear of face plate.  
 \*Neck sizes are available in 3" increments only.  
**Finish:** Two part polyurethane. White.

### REQUIRED CONSTRUCTION:

- Face Material:**  12 ga. steel (Std.)  
 14 ga. steel  
 10 ga. steel  
 Other \_\_\_\_\_
- Hole Pattern:**  13/16" square holes with 3/16" frets (Std.)  
 3/4" x 3/4" square holes with 1/4" frets  
 1/2" x 1/2" holes with 3/16" frets.  
 Other \_\_\_\_\_
- Finish:**  White (Std.)  
 Other \_\_\_\_\_
- Other Material:**  **SDE-A** all aluminum construction  
 10 ga. (.100") thick face, aluminum diffuser.  
 **SDE-SS** all stainless steel construction  
 12 ga. type 304 face, stainless steel diffuser.

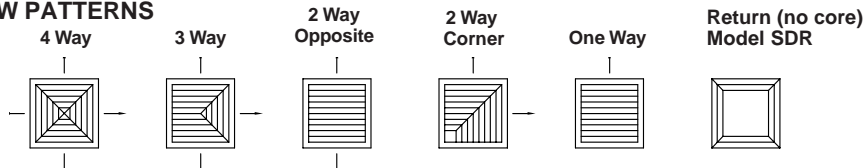
### MOUNTING OPTIONS:

- 25A.** (Std) Countersunk screw holes in perimeter of face 10" o.c. with #10 x 2" long Torx security sheet metal screws. Other screw style/size/length \_\_\_\_\_
- 24.** Countersunk screw holes in perimeter of face 10" o.c. with #10-24 x 2" long Torx security machine screws for 1-1/2" maximum ceiling thickness. 1" x 1" x 1/8" steel angle frame with matching holes and foldover nuts. Other angle size \_\_\_\_\_ Other screw style/size/length \_\_\_\_\_

### ACCESSORIES:

- 16F.** Face operated opposed blade damper, loose for field installation.
- SXR.** Square to round transition, loose for field installation. Advise round size \_\_\_\_\_
- EG.** Equalizing grid, loose for field installation.
- Other Options:** \_\_\_\_\_

### THROW PATTERNS



Qty.	Neck Size *	X x Y	Minimum Ceiling Opening	Throw Pattern	Accessories	Damper	Mounting Option	Tag

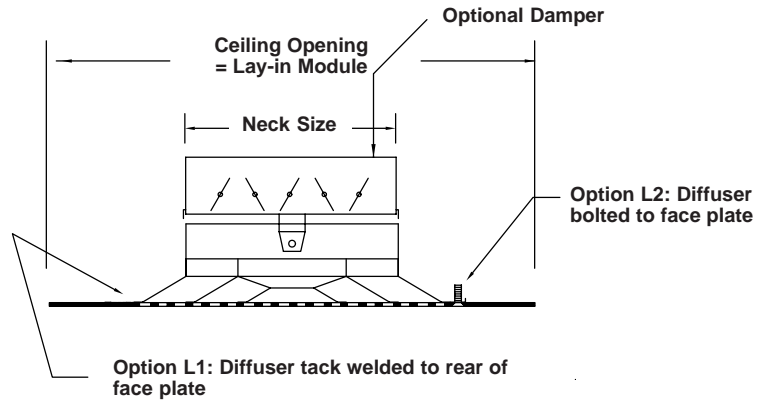
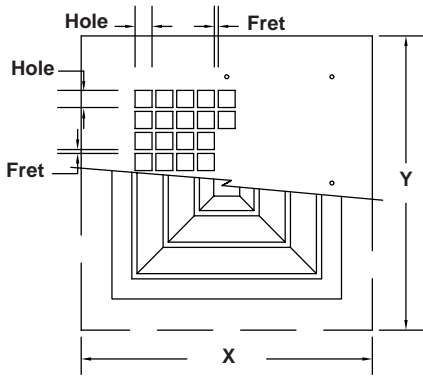
To maintain KEES' policy of continuous product improvement, we reserve the right to change prices, specifications, ratings or dimensions without notice or obligation.

<b>Project</b>		<b>Location</b>	
<b>Architect / Engineer</b>		<b>Contractor</b>	
<b>Representative</b>		<b>Dwg. No.</b>	<b>Date</b>
		SDEw 03/29/06	



**KEES INCORPORATED**  
 400 S. Industrial Dr. • P.O. Box L  
 Elkhart Lake, WI 53020  
 Phone: (920) 876-3391  
 Fax: (920) 876-3065  
 Website: www.kees.com

# MODEL SDL SECURITY CEILING DIFFUSER FOR LAY-IN MOUNTING



**STANDARD CONSTRUCTION**

**Face:** 12 ga. steel.  
**Hole Pattern:** 13/16" square holes with 3/16" frets.  
**Diffuser:** Commercial ceiling diffuser.  
 \*Neck sizes are available in 3" increments only.  
**Finish:** Two part polyurethane. White.

**REQUIRED CONSTRUCTION:**

- Face Material:**  12 ga. steel (Std.)  
 14 ga. steel  
 10 ga. steel  
 Other \_\_\_\_\_
- Hole Pattern:**  13/16" square holes with 3/16" frets (Std.)  
 3/4" x 3/4" square holes with 1/4" frets  
 1/2" x 1/2" holes with 3/16" frets.  
 Other \_\_\_\_\_
- Finish:**  White (Std.)  
 Other \_\_\_\_\_
- Other Material:**  **SDL-A** all aluminum construction  
 10 ga.(.100") thick face, aluminum diffuser.  
 **SDL-SS** all stainless steel construction  
 12 ga. type 304 face, stainless steel diffuser.

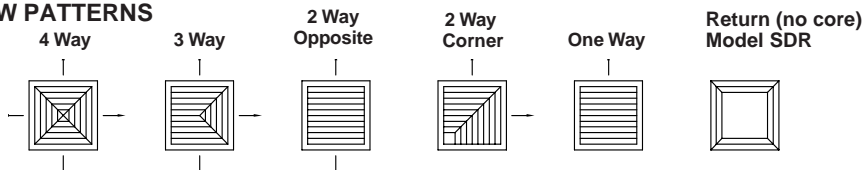
**MOUNTING OPTIONS:**

- L1.** Diffuser tack welded to rear of face plate. (Std)
- L2.** Diffuser attaches to face plate with countersunk screw holes in face 10" o.c. and #10-24 x 1" long Torx security machine screws threaded into nuts on rear of face plate.  
 Other screw style/size/\_\_\_\_\_

**ACCESSORIES:**

- 16F.** Face operated opposed blade damper, loose for field installation.
- SXR.** Square to round transition, loose for field installation.  
 Advise round size \_\_\_\_\_
- EG.** Equalizing grid, loose for field installation.
- Other Options:** \_\_\_\_\_  
 \_\_\_\_\_  
 \_\_\_\_\_

**THROW PATTERNS**



Qty.	Neck Size *	X x Y	Ceiling Grid Opening	Throw Pattern	Accessories	Damper	Mounting Option	Tag

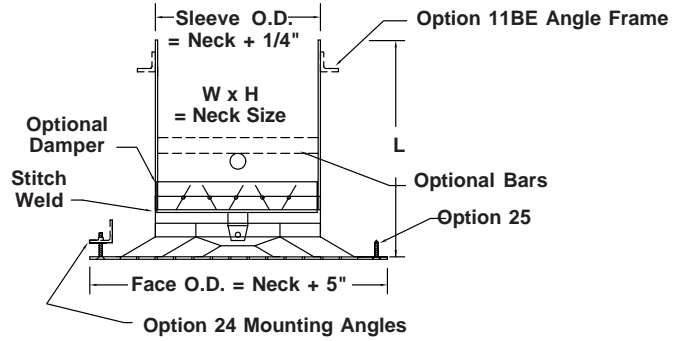
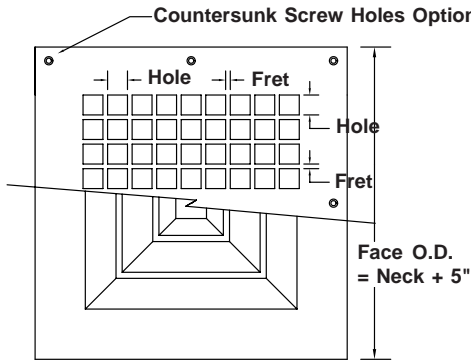
To maintain KEES' policy of continuous product improvement, we reserve the right to change prices, specifications, ratings or dimensions without notice or obligation.

<b>Project</b>		<b>Location</b>	
<b>Architect / Engineer</b>		<b>Contractor</b>	
<b>Representative</b>		<b>Dwg. No.</b>	<b>Date</b>
		SDLw 03/29/05	



**KEES INCORPORATED**  
 400 S. Industrial Dr. • P.O. Box L  
 Elkhart Lake, WI 53020  
 Phone: (920) 876-3391  
 Fax: (920) 876-3065  
 Website: www.kees.com

# MODEL SD-SLV1 — SECURITY CEILING DIFFUSER WITH SLEEVE



## STANDARD CONSTRUCTION

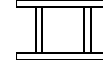
**Face:** 12 ga. steel plug welded to diffuser.  
**Hole Pattern:** 13/16" square holes with 3/16" frets.  
**Sleeve:** 12 ga. steel, with continuously welded or formed seams. Stitch welded to diffuser neck.  
**Diffuser:** Commercial surface mount ceiling diffuser.  
 \*Neck sizes are available in 3" increments only.  
**Finish:** Two part polyurethane. White.

## REQUIRED CONSTRUCTION:

- Face Material:**  12 ga. steel (Std.)  
 10 ga. steel  
 Other \_\_\_\_\_
- Hole Pattern:**  13/16" square holes with 3/16" frets (Std.)  
 3/4" x 3/4" square holes with 1/4" frets  
 1/2" x 1/2" holes with 3/16" frets.  
 Other \_\_\_\_\_
- Sleeve Material:**  12 ga. steel (Std.)  
 10 ga. steel  
 Other \_\_\_\_\_
- Finish:**  White (Std.)  
 Other \_\_\_\_\_

## MOUNTING OPTIONS:

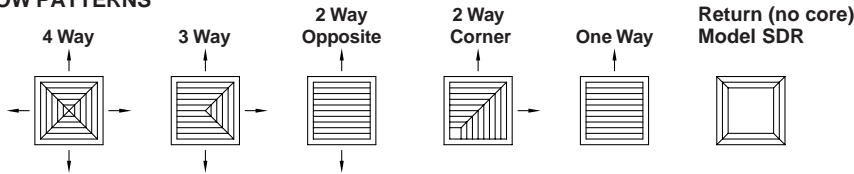
- 25A.** (Std) Countersunk screw holes in face 10" o.c. with #10 x 2" long Torx security screws. Clearance hole in diffuser for securing to structure above diffuser. Other screw style/size/length \_\_\_\_\_
- 24.** Countersunk screw holes in face 10" o.c. with #10-24 x 2" long Torx security machine screws. 1" x 1" x 1/8" steel angle frame with matching holes and foldover nuts. Other screw style/size/length \_\_\_\_\_  
 Other angle size \_\_\_\_\_
- 11BE.** 1" x 1" x 1/8" angle frame with legs extended 5" on two ends. Loose for field welding to sleeve. Unpainted. Face plate is plug welded to diffuser. Other angle size \_\_\_\_\_



## ACCESSORIES:

- 16F.** Face operated opposed blade damper.
- SXR.** Square to round transition, loose for field installation. Advise round size \_\_\_\_\_
- 19.** 1/2" dia. A-36 mild steel bars 6" o.c. both ways, welded to sleeve and at intersections.
- Other Options:** \_\_\_\_\_

## THROW PATTERNS



Qty.	Neck Size W x H	Sleeve O.D.	Ceiling Opening	Throw Pattern	Sleeve Length L	Accessories	Damper	Mounting Option	Tag
		Neck + 1/4"	Neck + 2-1/2"						

To maintain KEES' policy of continuous product improvement, we reserve the right to change prices, specifications, ratings or dimensions without notice or obligation.

<b>Project</b>		<b>Location</b>	
<b>Architect / Engineer</b>		<b>Contractor</b>	
<b>Representative</b>		<b>Dwg. No.</b>	<b>Date</b>
		SD-SLV1w 07/16/04	



**KEES INCORPORATED**  
 400 S. Industrial Dr. • P.O. Box L  
 Elkhart Lake, WI 53020  
 Phone: (920) 876-3391  
 Fax: (920) 876-3065  
 Website: www.kees.com