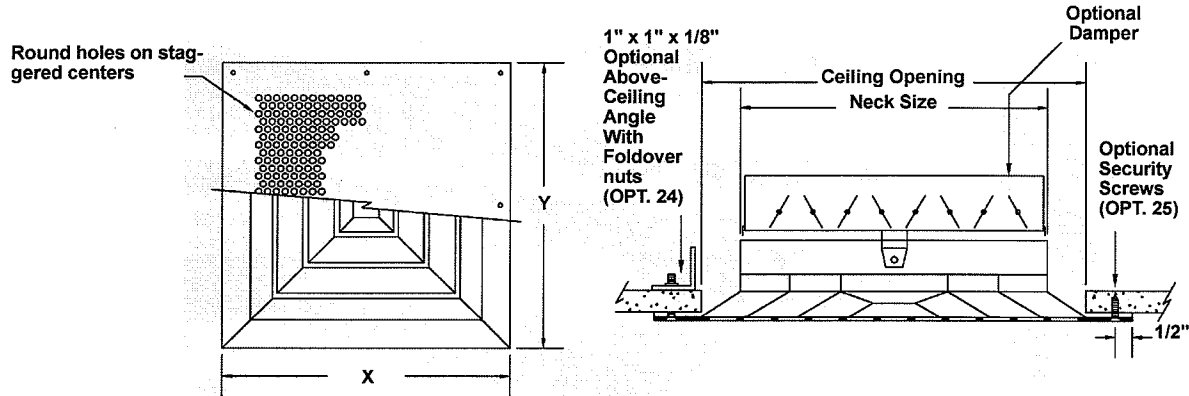


# MODEL SDP3 — SECURITY CEILING DIFFUSER

Complies with NIC recommendations and California BoP Title 24



### STANDARD CONSTRUCTION

**Face:** 14 ga. steel.  
**Hole Pattern:** 3/16" dia. holes on 1/4" staggered centers.  
**Diffuser:** Commercial ceiling diffuser.  
 \*Neck sizes are available in 3" increments only.  
**Finish:** Two part polyurethane. White.

### REQUIRED CONSTRUCTION:

- Face Material:**  14 ga. steel (Std.)  
 Other \_\_\_\_\_
- Hole Pattern:**  3/16" dia. holes on 1/4" staggered centers (reduced risk)  
 Other \_\_\_\_\_
- Finish:**  White (Std.)  
 Other \_\_\_\_\_

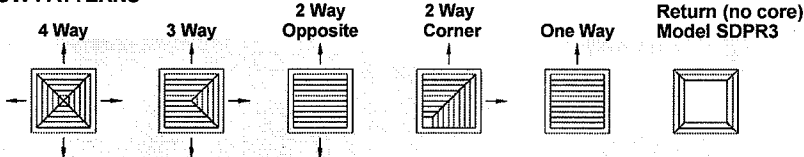
### MOUNTING OPTIONS:

- 25A.** (Std) Countersunk screw holes in face 10" o.c. with #10 x 2" long Torx security flat head sheet metal screws. Clearance hole in diffuser for securing to structure above diffuser. Other screw style/size/length \_\_\_\_\_
- 25B.** Countersunk screw holes in face 10" o.c. with #10 x 1" long Torx security flat head sheet metal screws. Starter hole in diffuser for securing face plate directly to diffuser. Other screw style/size/length \_\_\_\_\_
- 24.** Countersunk screw holes in face 10" o.c. with #10-24 x 2" long Torx security flat head machine screws for 1-1/2" maximum ceiling thickness. 1" x 1" x 1/8" steel angle frame with matching holes and foldover nuts. Other screw style/size/length \_\_\_\_\_

### ACCESSORIES:


- 16F.** Face operated opposed blade damper, loose for field installation.
- SXR.** Square to round transition, loose for field installation. Advise round size \_\_\_\_\_
- Other Options:** \_\_\_\_\_

### THROW PATTERNS



Qty.	Neck Size *	X x Y	Ceiling Opening	Throw Pattern	Accessories	Damper	Mounting Option	Tag

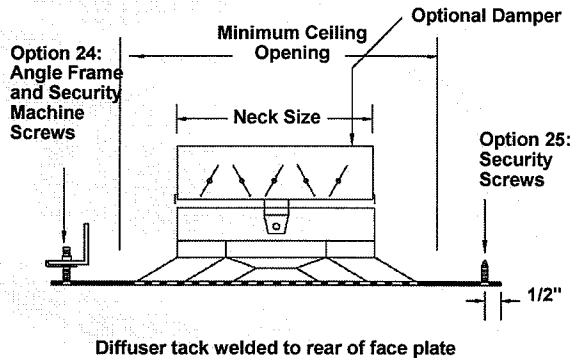
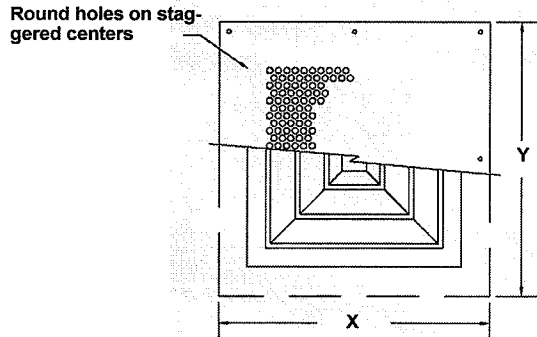
To maintain KEES' policy of continuous product improvement, we reserve the right to change prices, specifications, ratings or dimensions without notice or obligation.

<b>Project</b>		<b>Location</b>		 <b>KEES INCORPORATED</b> Elkhart Lake, WI 53020 Phone: (920) 876-3391 Fax: (920) 876-3065 Website: www.kees.com
<b>Architect / Engineer</b>		<b>Dwg. No.</b>	SDP3w Rev 11/02/12	
<b>Contractor</b>		<b>Date</b>		
<b>Representative</b>				

# MODEL SDP3E

## SECURITY CEILING DIFFUSER WITH EXTENDED FACE PLATE

Complies with NIC recommendations and California BoP Title 24



**STANDARD CONSTRUCTION**

**Face:** 14 ga. steel.  
**Hole Pattern:** 3/16" round holes on 1/4" staggered centers.  
**Diffuser:** Commercial surface mount ceiling diffuser.  
 \*Neck sizes are available in 3" increments only.  
**Finish:** Two part polyurethane. White.

**REQUIRED CONSTRUCTION:**

- Face Material:**  14 ga. steel (Std.)  
 Other \_\_\_\_\_
- Hole Pattern:**  3/16" round holes on 1/4" staggered centers (Std.)  
 Other \_\_\_\_\_
- Finish:**  White (Std.)  
 Other \_\_\_\_\_

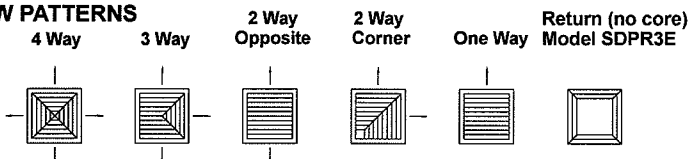
**MOUNTING OPTIONS:**

- 25A.** (Std) Countersunk screw holes in perimeter of face 10" o.c. with #10 x 2" long Torx security flat head sheet metal screws. Other screw style/size/length \_\_\_\_\_
- 24.** Countersunk screw holes in face 10" o.c. with #10-24 x 2" long Torx security flat head machine screws for 1-1/2" maximum ceiling thickness. 1" x 1" x 1/8" steel angle frame with matching holes and foldover nuts, Other angle size \_\_\_\_\_ Other screw style/size/length \_\_\_\_\_

**ACCESSORIES:**

- 16F.** Face operated opposed blade damper, loose for field installation.
- SXR.** Square to round transition, loose for field installation. Advise round size \_\_\_\_\_
- EG.** Equalizing grid, loose for field installation.
- Other Options:** \_\_\_\_\_

**THROW PATTERNS**



Qty.	Neck Size *	X x Y	Minimum Ceiling Opening	Throw Pattern	Accessories	Damper	Mounting Option	Tag

To maintain KEES' policy of continuous product improvement, we reserve the right to change prices, specifications, ratings or dimensions without notice or obligation.

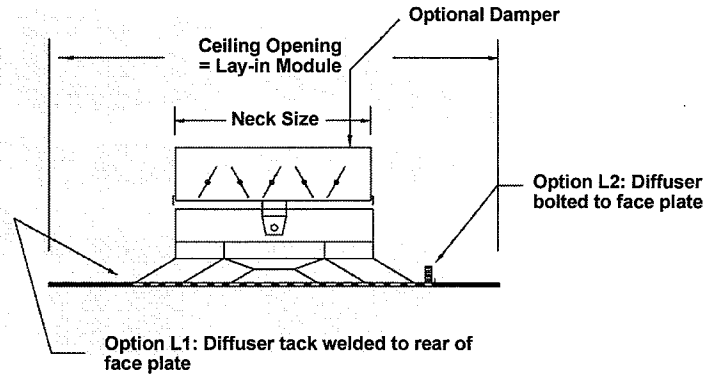
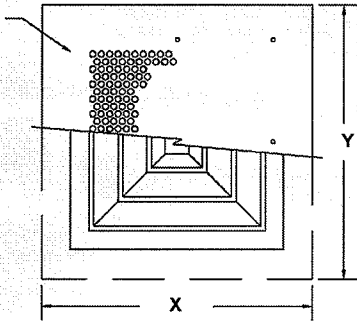
<b>Project</b>		<b>Location</b>	
<b>Architect / Engineer</b>			<b>KEES INCORPORATED</b> Elkhart Lake, WI 53020 Phone: (920) 876-3391 Fax: (920) 876-3065 Website: www.kees.com
<b>Contractor</b>	<b>Dwg. No.</b>	SDP3Ew 11/02/12	
<b>Representative</b>	<b>Date</b>		

# MODEL SDP3L

## SECURITY CEILING DIFFUSER FOR LAY-IN MOUNTING

Complies with NIC recommendations and California BoP Title 24

Round holes on staggered centers



**STANDARD CONSTRUCTION**

**Face:** 14 ga. steel.  
**Hole Pattern:** 3/16" round holes on 1/4" staggered centers.  
**Diffuser:** Commercial surface mount ceiling diffuser.  
 \*Neck sizes are available in 3" increments only.  
**Finish:** Two part polyurethane. White.

**REQUIRED CONSTRUCTION:**

- Face Material:**  14 ga. steel (Std.)  
 Other \_\_\_\_\_
- Hole Pattern:**  3/16" round holes on 1/4" staggered centers (Std.)  
 3/16" round holes on 9/32" staggered centers  
 Other \_\_\_\_\_
- Finish:**  White (Std.)  
 Other \_\_\_\_\_

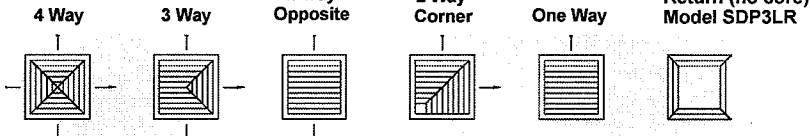
**MOUNTING OPTIONS:**

- L1. Diffuser tack welded to rear of face plate. (Std)
- L2. Diffuser attaches to face plate using countersunk screw holes in face 10" o.c. and #10-24 x 1" long Torx security flat head machine screws threaded into nuts on rear of face plate.  
 Other screw style/size/ \_\_\_\_\_

**ACCESSORIES:**

- 16F. Face operated opposed blade damper, loose for field installation.
- SXR. Square to round transition, loose for field installation.  
 Advise round size \_\_\_\_\_
- EG. Equalizing grid, loose for field installation.
- Other Options: \_\_\_\_\_

**THROW PATTERNS**



Qty.	Neck Size *	X x Y	Ceiling Grid Opening	Throw Pattern	Accessories	Damper	Mounting Option	Tag

To maintain KEES' policy of continuous product improvement, we reserve the right to change prices, specifications, ratings or dimensions without notice or obligation.

<b>Project</b>		<b>Location</b>		
<b>Architect / Engineer</b>			<p><b>KEES INCORPORATED</b>                  400 S. Industrial Dr. • P.O. Box L                  Elkhart Lake, WI 53020                  Phone: (920) 876-3391                  Fax: (920) 876-3065                  Website: www.kees.com</p>	
<b>Contractor</b>		<b>Dwg. No.</b>		SDP3Lw 11/02/12
<b>Representative</b>		<b>Date</b>		