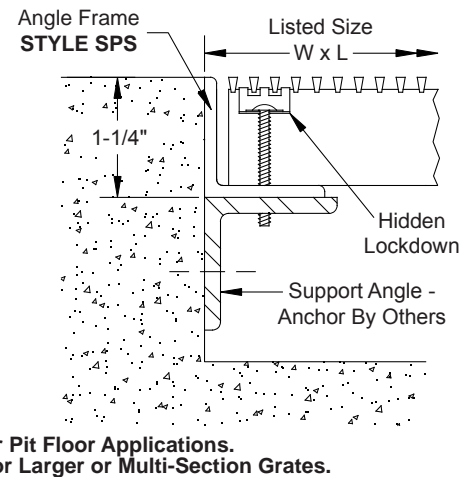
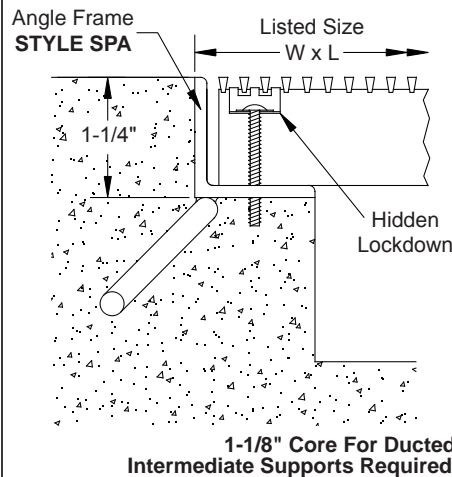
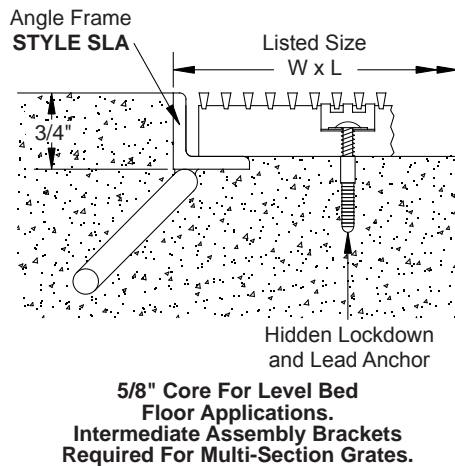


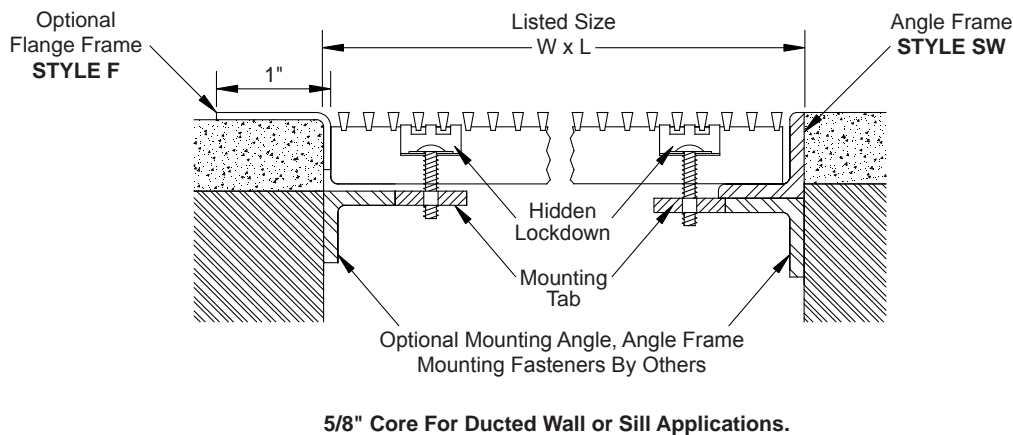


Stainless Steel Grates

FLOOR GRATING



WALL OR SILL GRATING



- MATERIAL:** 304 stainless steel.
FINISH: Satin.
FACE BARS: .071" x .177" wire with 1/8" clear opening between bars. 63% free area.
SUPPORT BARS: 1" O.C.
CONSTRUCTION: Face bars are welded to support bars at each intersection. Face bars and support bars are not exactly perpendicular. Face and support bars of adjacent sections will not be aligned. Contact the factory for intermediate assembly bracket or support details.

Qty.	Listed Size		Core Style	Frame Style	Number of Sections		Options	Tag
	L	W			L	W		

To maintain KEES' policy of continuous product development, we reserve the right to change prices, specifications, ratings and dimensions without notice or obligation.

Project				Location				
Engineer				Dwg. No.	SD-SSBR	KEES INCORPORATED 400 S. Industrial Dr. Elkhart Lake, WI 53020 Phone: (920) 876-3391 Fax: (920) 876-3065 Website: www.kees.com		
Architect				Date	05/17			
Contractor								