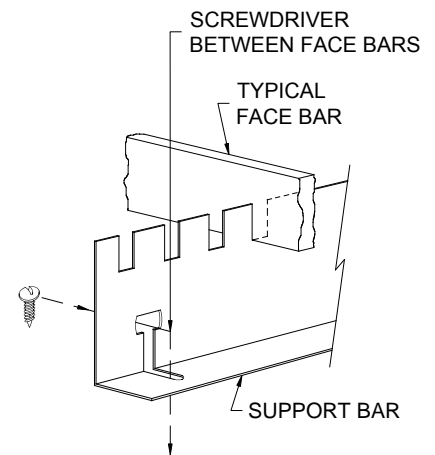
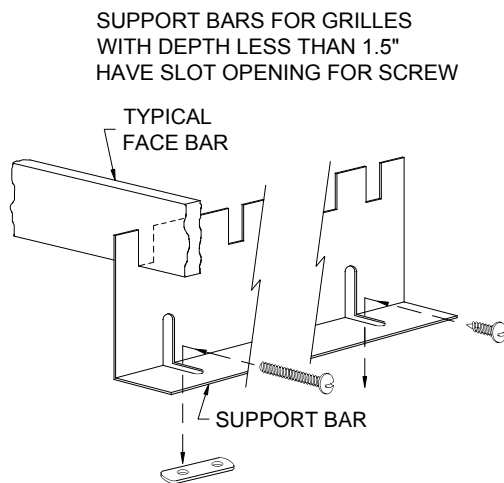
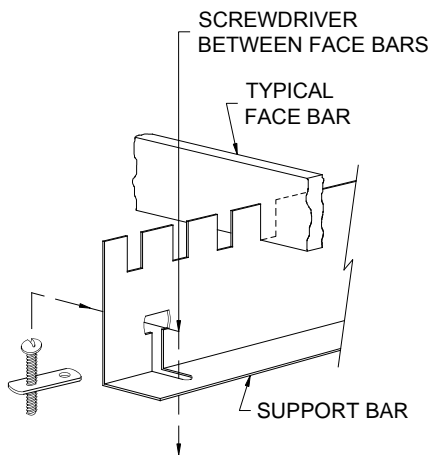
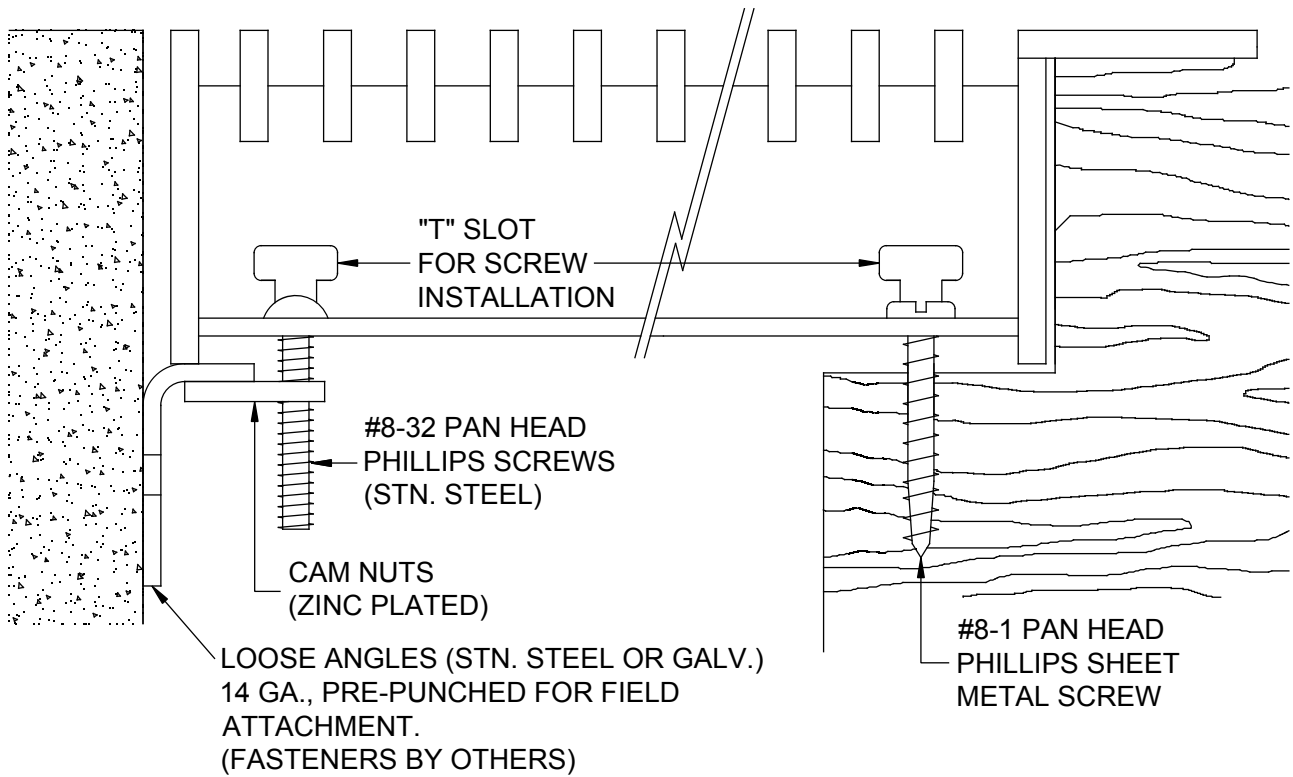


# OPTION C MOUNTING WITH LOOSE ANGLES AND CAM NUTS

S Frame Shown; FF/FS/FM Frames Similar

# OPTION G MOUNTING WITH FASTENING LUGS

FF Frame Shown; FS/FM/S Frames Similar



To maintain KEES' policy of continuous product development, we reserve the right to change prices, specifications, ratings and dimensions without notice or obligation.

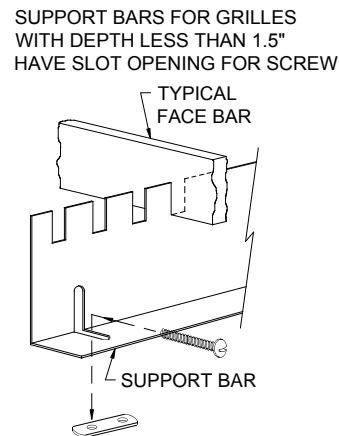
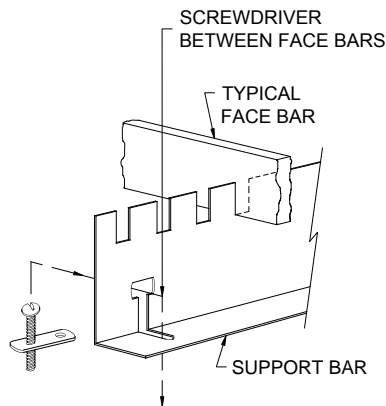
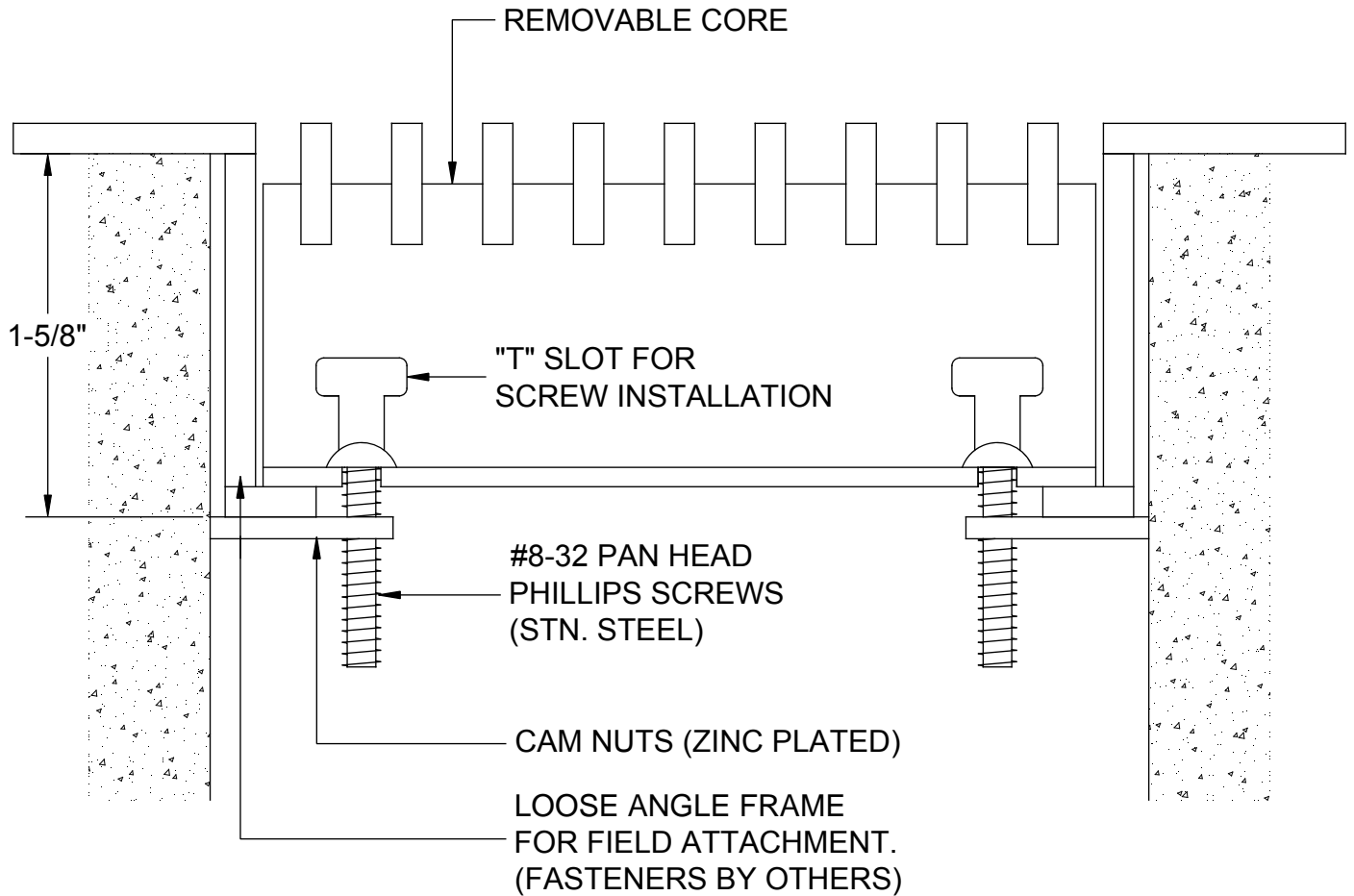
<b>Project</b>		<b>Location</b>	
<b>Engineer</b>		<b>Dwg. No.</b>	<b>Type C &amp; G</b>
<b>Architect</b>		<b>Date</b>	<b>09/16</b>
<b>Contractor</b>			



**KEES INCORPORATED**  
400 S. Industrial Dr.  
Elkhart Lake, WI 53020  
Phone: (920) 876-3391  
Fax: (920) 876-3065  
Website: www.kees.com

# OPTION RF MOUNTING WITH LOOSE ANGLES AND CAM NUTS

FF Frame Shown; FS/FM Frame Similar



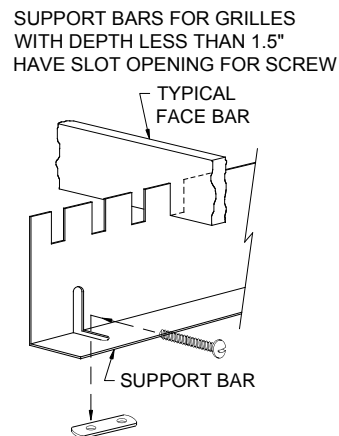
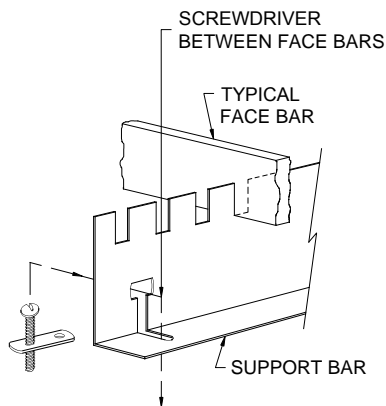
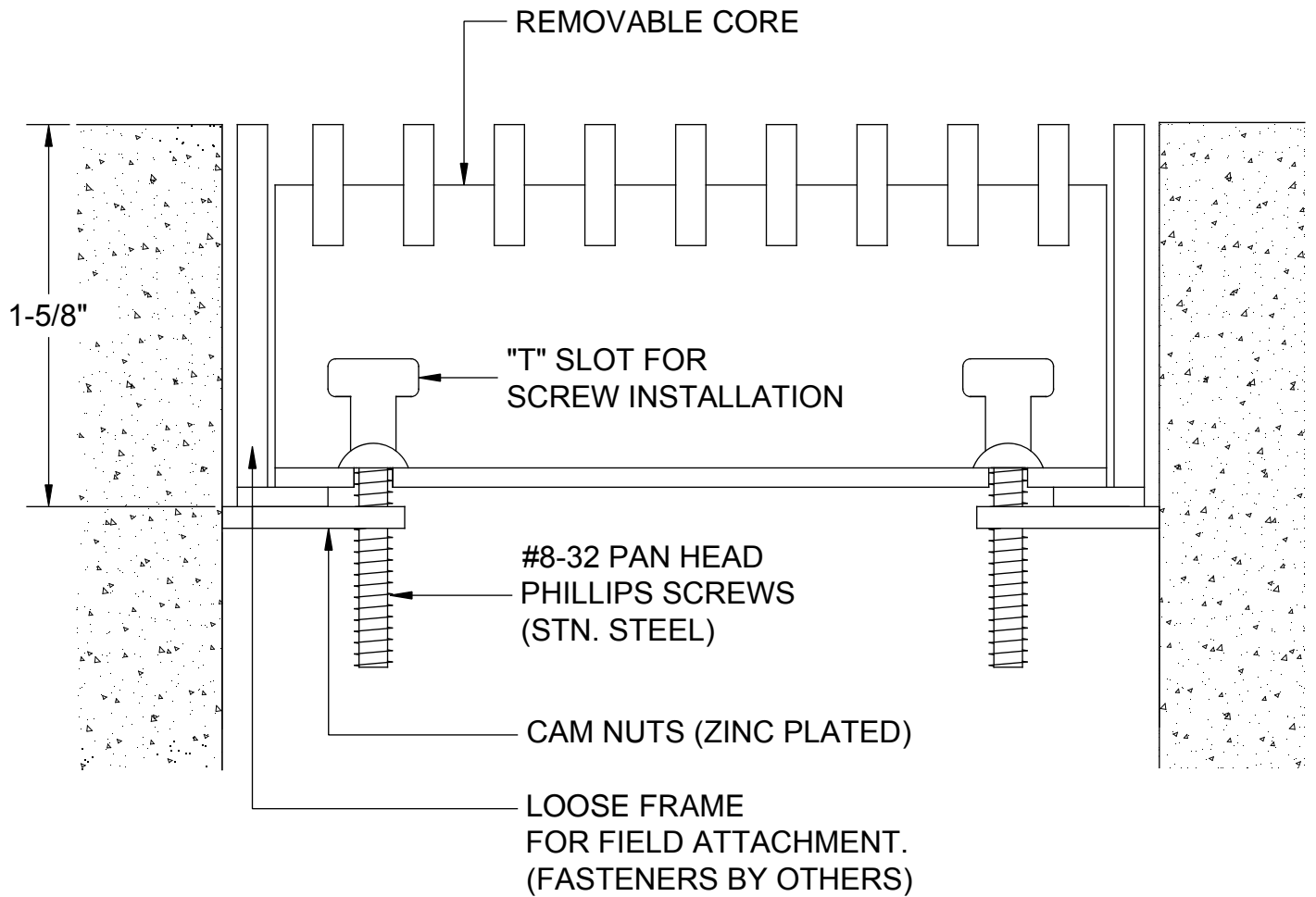
To maintain KEEES' policy of continuous product development, we reserve the right to change prices, specifications, ratings and dimensions without notice or obligation.

<b>Project</b>		<b>Location</b>	
<b>Engineer</b>			
<b>Architect</b>		<b>Dwg. No.</b>	<b>Type RF</b>
<b>Contractor</b>		<b>Date</b>	<b>09/15</b>



**KEES INCORPORATED**  
400 S. Industrial Dr.  
Elkhart Lake, WI 53020  
Phone: (920) 876-3391  
Fax: (920) 876-3065  
Website: www.kees.com

# OPTION RS MOUNTING WITH LOOSE FRAME AND CAM NUTS



To maintain KEES' policy of continuous product development, we reserve the right to change prices, specifications, ratings and dimensions without notice or obligation.

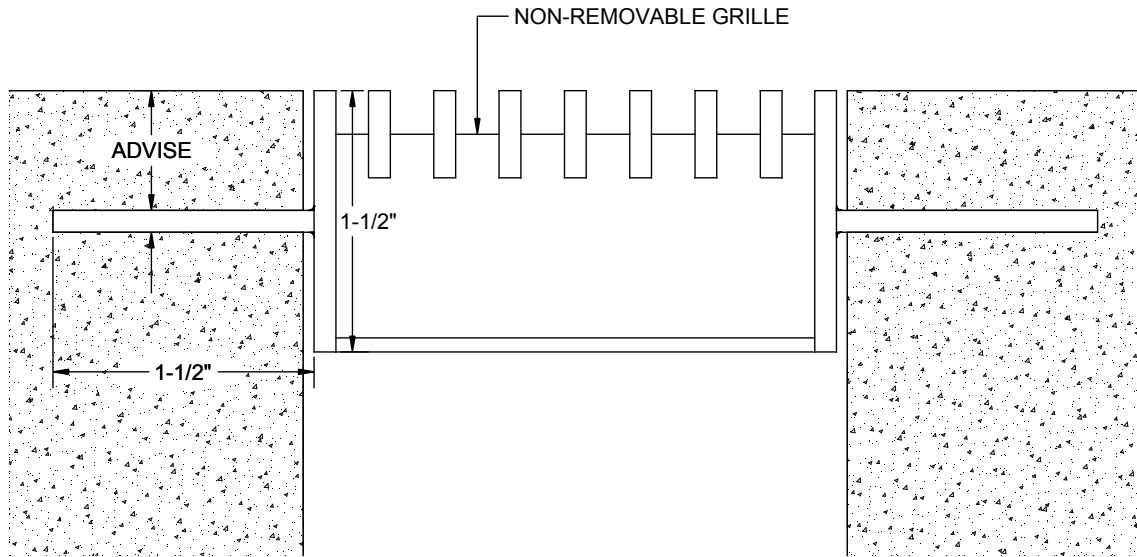
<b>Project</b>		<b>Location</b>	
<b>Engineer</b>			
<b>Architect</b>		<b>Dwg. No.</b>	<b>Type RS</b>
<b>Contractor</b>		<b>Date</b>	<b>09/15</b>



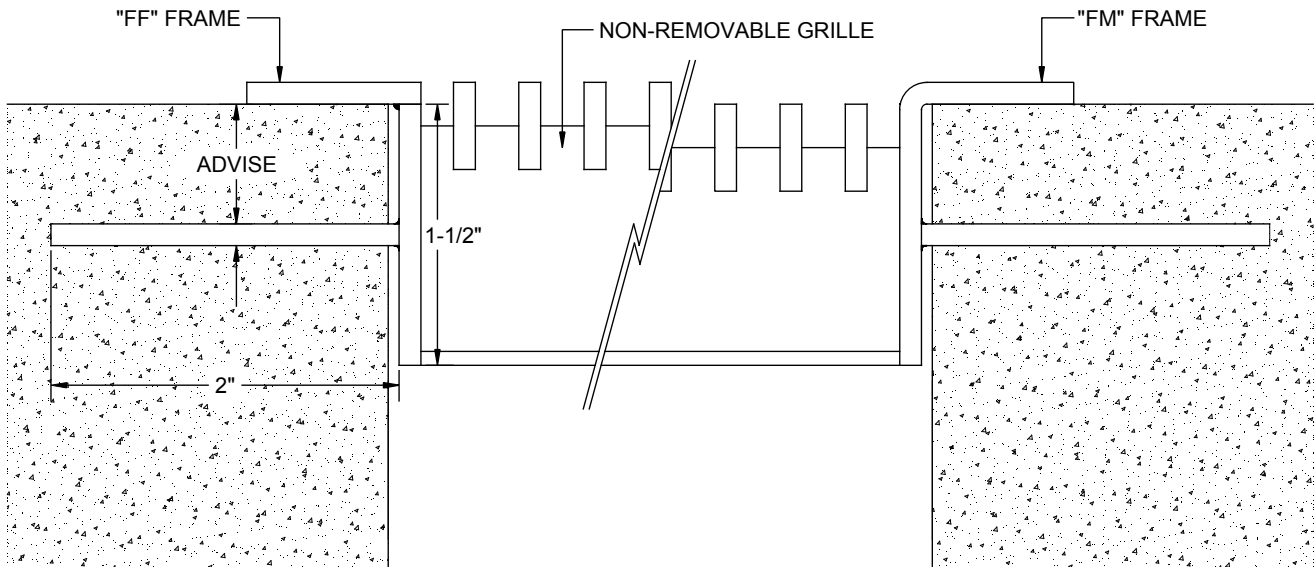
**KEES INCORPORATED**  
 400 S. Industrial Dr.  
 Elkhart Lake, WI 53020  
 Phone: (920) 876-3391  
 Fax: (920) 876-3065  
 Website: www.kees.com

# DRYWALL MOUNTING FLANGE OPTION DMF

## STRAIGHT SIDED FRAME



## FLANGED FRAME



To maintain KEES' policy of continuous product development, we reserve the right to change prices, specifications, ratings and dimensions without notice or obligation.

<b>Project</b>		<b>Location</b>	
<b>Engineer</b>			
<b>Architect</b>		<b>Dwg. No.</b>	<b>Drywall Mtg. Flange</b>
<b>Contractor</b>		<b>Date</b>	<b>09/15</b>



**KEES INCORPORATED**  
 400 S. Industrial Dr.  
 Elkhart Lake, WI 53020  
 Phone: (920) 876-3391  
 Fax: (920) 876-3065  
 Website: www.kees.com